
Comfort-Cire®

Century®

Submittal Data

HWW Series



www.marsdelivers.com

Table of Contents

HWW Water-To-Water Series



	Unit Features	3
	Selection Procedure	4
	HWW Series Nomenclature	6
	Performance Data – AHRI/ASHRAE/ISO 13256-2	7
	Performance Data – Selection Notes	8
	Performance Data – HWW036 (60Hz I-P) - Cooling	9
	Performance Data – HWW036 (60Hz I-P) - Heating	10
	Performance Data – HWW036 (60Hz I-P) - Heating	11
	Performance Data – HWW060 (60Hz I-P) - Cooling	12
	Performance Data – HWW060 (60Hz I-P) - Cooling	13
	Performance Data – HWW060 (60Hz I-P) - Heating	14
	Performance Data – HWW060 (60Hz I-P) - Heating	15
	Performance Data – HWW120 (60Hz I-P) - Cooling	17
	Performance Data – HWW120 (60Hz I-P) - Heating	18
	Performance Data – HWW120 (60Hz I-P) - Heating	19
	Antifreeze Correction Table	20
	Physical & Electrical Data	21
	Dimensional Data – HWW036 - 120	22
	HWW Series Wiring Diagram Matrix	23
Typical Wiring Diagram – Single Phase HWW036 Units with CXM		24
Typical Wiring Diagram – Three Phase HWW120 Units with CXM		25
	Engineering Specifications – Page 1	26
	Performance Sheet	31
	Revision History	32

Unit Features

THE MODULAR WATER-TO-WATER (HWW) SERIES

The Modular Water-to-Water (HWW) Series offers high efficiency and high capacity with advanced features, quiet operation and application flexibility at competitive prices. As Comfort-Aire/Century's largest water-to-water unit, the HWW Series can be used for radiant floor heating, snow/ice melt, chilled water for fan coils, industrial process control, potable hot water generation*, hot/chilled water for make-up air, and many other types of HVAC and industrial applications that require cost effective heated or chilled water.

The Modular Water-to-Water (HWW) Series exceeds ASHRAE 90.1 efficiencies, and also uses EarthPure® (HFC-410A) zero ozone depletion refrigerant, making it an extremely environmentally-friendly option. The unit is eligible for additional LEED® (Leadership in Energy and Environmental Design) points because of the "green" technology design.

Available in 3 to 10 ton capacities, the HWW Series provides high capacity in a small footprint, which saves mechanical room space. The HWW Series has an extended range refrigerant circuit (refrigerant and water circuit insulation is standard), capable of ground loop (geothermal) applications as well as water loop (boiler-tower) applications. Standard features are many. Microprocessor controls, galvanized steel cabinet, polyester powder coat paint and TXV refrigerant metering device are just some of the features of the flexible HWW Series. The uniquely-designed coaxial heat exchangers are designed for many years of reliable operation.

Comfort-Aire/Century's dual-isolated compressor mounting and heavy gauge steel cabinet helps make the HWW Series the quietest large capacity water-to-water unit on the market. Scroll compressor(s) operate quietly, and provide part load operation (models 120) for capacity control. Options such as DDC controls and UltraQuiet sound attenuation package allow customized design solutions. For ease of installation and service, access to the refrigeration service and electrical control panel is located at the front of the unit, allowing units to be installed side-by-side for large capacity applications (see below).

The HWW Series water-to-water heat pumps are designed to meet the challenges of today's HVAC demands with a high efficiency, high value solution.

UNIT FEATURES

Size 036, 060, & 120

Copeland scroll compressor(s)

Exclusive single side service access (front of unit) allows multiple units to be installed side-by-side for large capacity installations

Top water connections, staggered for ease of manifolding multiple units

Exceeds ASHRAE 90.1 efficiencies

Heavy gauge galvanized steel construction with polyester powder coat paint and stainless steel front access panels

Insulated compressor compartment

Small footprint

TXV metering devices

Extended range (20 to 110°F, -6.7 to 43.3°C) operation

Microprocessor controls standard (optional DXM and/or DDC controls)

LonWorks, BACnet, Modbus and Johnson N2 compatibility options for DDC controls

Compressor "run" and "fault" lights on the front of the cabinet

Seven safeties standard

Options include UltraQuiet sound attenuation package and cupro-nickel heat exchanger(s)

*Requires field supplied secondary heat exchanger.

Selection Procedure

Reference Calculations

<h3>Heating</h3> $LWT = EWT - \frac{HE}{GPM \times 500}$	<h3>Cooling</h3> $LWT = EWT + \frac{HR}{GPM \times 500}$
--	--

Legend and Glossary of Abbreviations

BTUH = BTU (British Thermal Unit) per hour	HWC = hot water generator (desuperheater) capacity, Mbtuh
CFM = airflow, cubic feet/minute	FPT = female pipe thread
COP = coefficient of performance = BTUH output/BTUH input	KW = total power unit input, kilowatts
DB = dry bulb temperature (°F)	LAT = leaving air temperature, °F
EAT = entering air temperature, Fahrenheit (dry bulb/wet bulb)	LC = latent cooling capacity, BTUH
EER = energy efficiency ratio = BTUH output/Watt input	LWT = leaving water temperature, °F
MPT = male pipe thread	MBTUH = 1000 BTU per hour
ESP = external static pressure (inches w.g.)	S/T = sensible to total cooling ratio
EWT = entering water temperature	SC = sensible cooling capacity, BTUH
GPM = water flow in U.S. gallons/minute	TC = total cooling capacity, BTUH
HE = total heat of extraction, BTUH	WB = wet bulb temperature (°F)
HC = air heating capacity, BTUH	WPD = waterside pressure drop (psi & ft. of hd.)
HR = total heat of rejection, BTUH	

Conversion Table - to convert inch-pound (English) to S-I (Metric)

Water Flow	Water Pressure Drop
Water Flow (L/s) = gpm x 0.0631	PD (kPa) = PD (ft of hd) x 2.99

Selection Procedure

Step 1 Determine the actual heating and/or cooling loads at the applicable source (building loop) water temperature/flow rate and load water temperature/flow rate. The source heat exchanger is the condenser in cooling/evaporator in heating; the load heat exchanger is the evaporator in cooling/condenser in heating.

Step 2 Obtain the following design parameters: Entering source/load water temperature, source/load water flow rate in GPM and water flow pressure drop. Water flow rate is generally between 2.25 and 3.00 GPM/ton for closed loop (boiler/tower and geothermal) systems, and between 1.5 and 2.0 GPM/ton for open loop (well water) systems. Unit water pressure drop should be kept as close as possible to each other to make water balancing easier. Go to the appropriate tables and find the proper indicated water flow and water temperature.

Step 3 Determine application requirements. Water-to-water applications are almost always designed for a particular installation, which will change how the data tables are used for unit selection. For example, a water-to-water unit used for radiant floor heating on a geothermal closed loop is significantly different in unit selection from a water-to-water unit on a boiler/tower application used for generating chilled water for fan coil units. It is especially important to note that the load water flow rate must be maintained above minimum flow rates as shown in the data tables for proper refrigerant circuit operation and unit longevity. For example, most radiant floor applications require buffer (storage) tanks because the flow rate through the floor is usually lower than the minimum flow rate for the water-to-water unit. Therefore, selection of the heat pump is dependent upon maintaining a certain tank temperature and unit load flow rate. There would be a pump between the heat pump and the buffer tank, and a pump(s) between the buffer tank and radiant floor to maintain design flow rate on both sides.

Step 4 Enter tables at the design source water temperature and flow rate. Choose the appropriate load water temperature and flow rate. Read the total heating or cooling capacities (Note: interpolation is permissible; extrapolation is not).

Step 5 If the units selected are not within 10% of the load calculations, then review what effect changing the GPM and water temperature would have on the capacities. If the desired capacity cannot be achieved, select the next larger or smaller unit and repeat the procedure.

Example Equipment Selection for Heating

Step 1 Load Determination:

Assume we have determined that the application will be heating only (radiant floor) for a large commercial warehouse, and that the appropriate heating load at design conditions is as follows:

Total heating.....97,000 BTUH

Step 2 Design Conditions:

Entering source temperature.....30°F (geothermal closed loop)

Source flow rate.....30 GPM

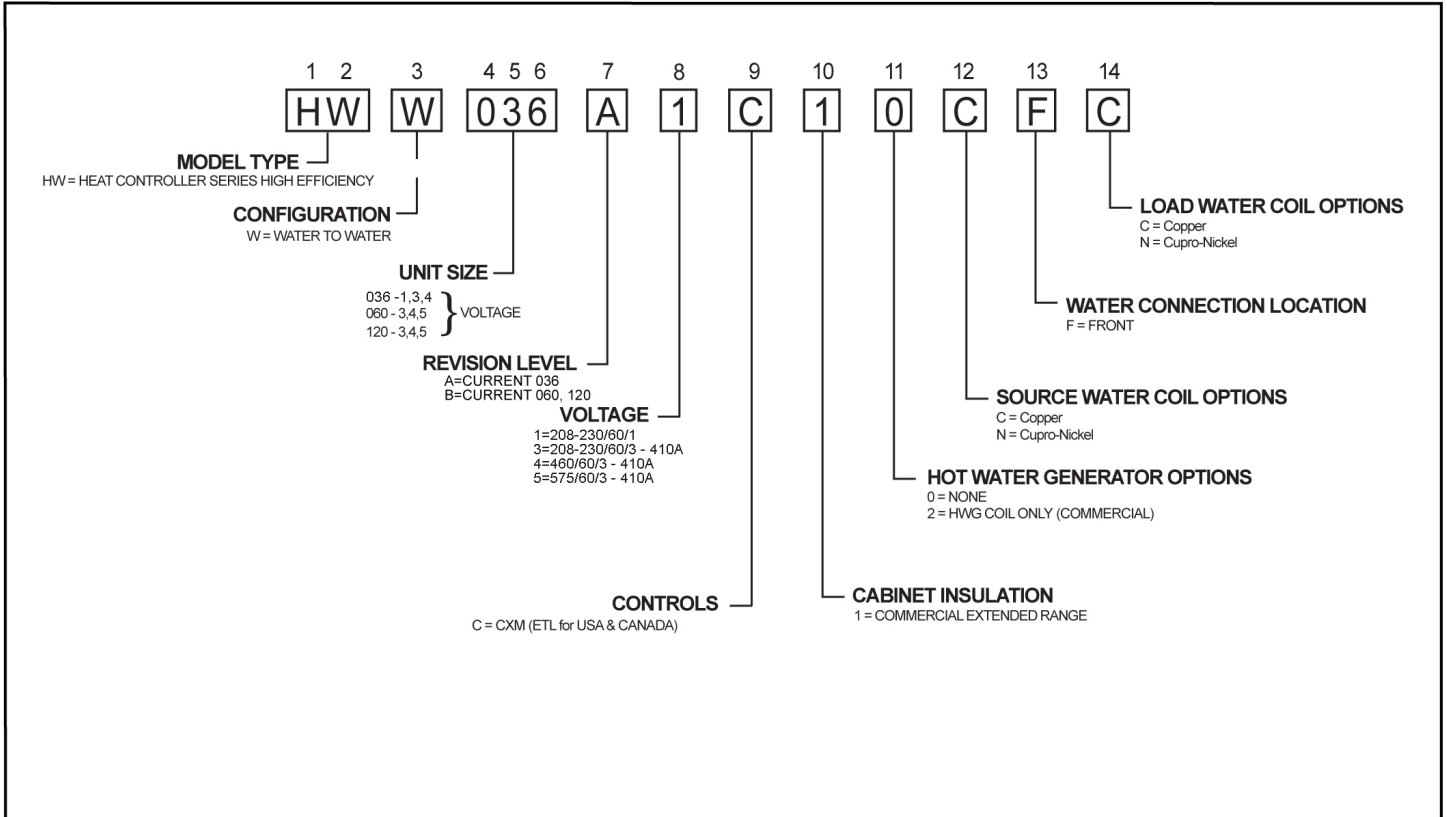
Entering load temperature.....100°F

Load flow rate.....30 GPM

Steps 3, 4, 5 HP Selection:

We enter the tables at design source water temperature and flow rate, and select the appropriate load water temperature and flow rate.

HWW Series Nomenclature



Performance Data - AHRI/ASHRAE/ISO 13256-2

HWW 036-120 Performance Data ASHRAE/AHRI/ISO 13256-2 English (I-P) Units

Model	Water Loop Heat Pump				Ground Water Heat Pump				Ground Loop Heat Pump			
	Cooling		Heating		Cooling		Heating		Cooling		Heating	
	Indoor 53.6°F Outdoor 86°F		Indoor 104°F Outdoor 68°F		Indoor 53.6°F Outdoor 59°F		Indoor 104°F Outdoor 50°F		Indoor 53.6°F Outdoor 77°F		Indoor 104°F Outdoor 32°F	
	Capacity Btuh	EER Btuh/W	Capacity Btuh	COP	Capacity Btuh	EER Btuh/W	Capacity Btuh	COP	Capacity Btuh	EER Btuh/W	Capacity Btuh	COP
HWW036	32,300	14.60	43,100	4.90	36,200	23.10	35,300	4.00	33,300	16.40	27,400	3.10
HWW060	52,800	14.00	72,700	4.60	56,600	20.30	60,300	3.80	55,600	15.10	48,500	2.90
HWW120	105,600	13.80	145,400	4.50	113,200	20.10	120,600	3.70	111,200	15.00	97,000	2.90

All HWW036 ratings @ 9GPM load w/9GPM source.
 All HWW060 ratings @ 15GPM load w/15GPM source.
 All HWW120 ratings @ 30GPM load w/30GPM source.
 All ratings based upon operation at lower voltage of dual voltage rated models.

HWW 036-120 Performance Data ASHRAE/AHRI/ISO 13256-2 Metric (S-I) Units

Model	Water Loop Heat Pump				Ground Water Heat Pump				Ground Loop Heat Pump			
	Cooling		Heating		Cooling		Heating		Cooling		Heating	
	Indoor 12°C Outdoor 30°C		Indoor 40°C Outdoor 20°C		Indoor 12°C Outdoor 15°C		Indoor 40°C Outdoor 10°C		Indoor 12°C Outdoor 25°C		Indoor 40°C Outdoor 0°C	
	Capacity kW	EER W/W	Capacity kW	COP	Capacity kW	EER W/W	Capacity kW	COP	Capacity kW	EER W/W	Capacity kW	COP
HWW036	9.47	4.28	12.64	4.90	10.62	6.77	10.35	4.00	9.77	4.81	8.04	3.10
HWW060	15.48	4.10	21.32	4.60	16.60	5.95	17.68	3.80	16.31	4.43	14.22	2.90
HWW120	30.97	4.04	42.64	4.50	33.20	5.89	35.37	3.70	32.61	4.40	28.45	2.90

All HWW036 ratings @ 0.57 l/s load w/ 0.57 l/s source.
 All HWW060 ratings @ 0.95 l/s load w/0.95 l/s source.
 All HWW120 ratings @ 1.89 l/s load w/1.89 l/s source.
 All ratings based upon operation at lower voltage of dual voltage rated models.

Performance Data - Selection Notes

For operation in the shaded area when water is used in lieu of an antifreeze solution, the LWT (Leaving Water Temperature) must be calculated. Flow must be maintained to a level such that the LWT is maintained above 40°F [4.4°C] when the JW3 jumper is not clipped (see example below). Otherwise, appropriate levels of a proper antifreeze should be used in systems with leaving water temperatures of 40°F [4.4°C] or below and the JW3 jumper should be clipped. This is due to the potential of the refrigerant temperature being as low as 32°F [0°C] with 40°F [4.4°C] LWT, which may lead to a nuisance cutout due to the activation of the Low Temperature Protection. JW3 should never be clipped for standard range equipment or systems without antifreeze.

Example:

At 50°F EWT (Entering Water Temperature) and 1.5 gpm/ton, a 3 ton unit has a HE of 22,500 Btuh. To calculate LWT, rearrange the formula for HE as follows:

HE = TD x GPM x 500, where HE = Heat of Extraction (Btuh); TD = temperature difference (EWT - LWT) and GPM = U.S. Gallons per Minute.

$$TD = HE / (GPM \times 500)$$

$$TD = 22,500 / (4.5 \times 500)$$

$$TD = 10^\circ F$$

$$LWT = EWT - TD$$

$$LWT = 50 - 10 = 40^\circ F$$

In this example, as long as the EWT does not fall below 50°F, the system will operate as designed. For EWTs below 50°F, higher flow rates will be required (open loop systems, for example, require at least 2 gpm/ton when EWT is below 50°F).

Flow 70.0 GPM				Flow 70.0 GPM							
LWT °F	COP	WPD		HC Mb-tuh	Power KW	HE Mb-tuh	LWT °F	COP	WPD		
		PSI	FT						PSI	FT	
68.0	4.6	3.44	7.94	219.6	13.67	172.9	66.3	4.7	6.18	14.28	
5	87.4	3.4	3.15	7.28	200.7	16.95	142.9	85.7	3.5	5.67	13.09
5.7	68.5	4.5	3.44	7.94	229.8	13.72	183.0	66.6	4.9	6.18	14.28
5.3	87.7	3.5	3.15	7.28	209.4	17.01	151.4	86.0	3.6	5.67	13.09
80.3	68.7	4.6	3.44	7.94	235.0	13.75	188.1	66.7	5.0	6.18	14.28
9.3	87.8	3.6	3.15	7.28	213.8	17.03	155.7	86.1	3.7	5.67	13.09
8.0	69.1	5.1	3.44	7.94	251.4	14.84	200.7	67.2	5.0	6.18	14.28
7	88.4	3.8	3.15	7.28	229.8	17.14	171.3	86.6	3.9	5.67	13.09
107.7	3.0	2.89	6.68	208.9	19.61	142.0	106.0	3.1	5.32	12.28	
69.6	5.0	3.44	7.94	262.2	14.85	211.5	67.5	5.2	6.18	14.28	
88.8	4.0	3.15	7.28	239.6	17.21	180.8	86.8	4.1	5.67	13.09	
0	3.1	2.89	6.68	217.2	19.68	150.0	106.2	3.2	5.32	12.28	
5.1	3.44	7.94	267.6	14.85	216.9	67.6	5.3	6.18	14.28		
3.15	7.28	244.5	17.25	185.6	87.0	4.2	5.67	13.09			
89	6.68	221.3	19.72	154.1	106.3	3.3	5.32	12.28			
7.94	277.2	14.86	226.5	67.9	5.5	6.18	14.28				
7.28	277.2	14.86	226.5	67.9	5.5	6.18	14.28				

Performance Data – HWW036 (60Hz I-P) - Cooling

SOURCE				LOAD																							
EWT °F	Flow			EWT °F	Flow 4.5 GPM						Flow 6.8 GPM						Flow 9.0 GPM										
	GPM	WPD			TC Mb-tuh	Power kW	HR Mbtuh	LWT °F	EER	WPD		TC Mb-tuh	Power kW	HR Mbtuh	LWT °F	EER	WPD		TC Mb-tuh	Power kW	HR Mbtuh	LWT °F	EER	WPD			
		PSI	FT							PSI	FT						PSI	FT						PSI	FT		
50	4.5	1.3	3.1	50	32.5	1.49	37.6	35.6	21.8	0.6	1.4	34.5	1.52	39.7	39.8	22.7	1.4	3.2	35.3	1.5	40.5	42.1	23.2	2.6	5.9		
				60	36.8	1.53	42.0	43.6	24.1	0.5	1.2	38.4	1.54	43.6	48.6	24.9	1.3	3.1	39.2	1.5	44.5	51.3	25.3	2.5	5.8		
				70	40.4	1.55	45.7	52.0	26.0	0.5	1.1	41.6	1.56	47.0	57.7	26.6	1.3	2.9	42.4	1.6	47.8	60.6	27.0	2.4	5.6		
				80	43.2	1.57	48.6	60.8	27.5	0.4	0.9	44.2	1.58	49.6	66.9	28.0	1.2	2.8	44.8	1.6	50.3	70.0	28.1	2.3	5.4		
				90	45.1	1.58	50.5	69.9	28.6	0.3	0.8	46.2	1.60	51.7	76.3	28.9	1.1	2.6	46.6	1.6	52.1	79.7	28.9	2.2	5.1		
	6.8	3.4	7.8	50	32.9	1.41	37.7	35.4	23.3	0.6	1.4	34.9	1.44	39.8	39.7	24.2	1.4	3.2	35.8	1.4	40.7	42.0	24.8	2.6	5.9		
				60	37.3	1.45	42.2	43.4	25.7	0.5	1.2	38.9	1.46	43.9	48.5	26.6	1.3	3.1	39.7	1.5	44.7	51.2	27.1	2.5	5.8		
				70	40.9	1.47	46.0	51.8	27.8	0.5	1.1	42.2	1.48	47.2	57.5	28.4	1.3	2.9	42.9	1.5	48.0	60.5	28.8	2.4	5.6		
				80	43.8	1.49	48.9	60.5	29.4	0.4	0.9	44.8	1.50	49.9	66.7	29.9	1.2	2.8	45.4	1.5	50.6	69.9	30.0	2.3	5.4		
				90	45.7	1.50	50.8	69.7	30.5	0.3	0.8	Operation not recommended															
	9.0	6.0	13.9	50	33.3	1.33	37.8	35.2	25.1	0.6	1.4	35.4	1.35	40.0	39.5	26.1	1.4	3.2	36.2	1.4	40.9	41.9	26.8	2.6	5.9		
				60	37.8	1.36	42.4	43.2	27.8	0.5	1.2	39.4	1.37	44.0	48.3	28.7	1.3	3.1	40.2	1.4	44.9	51.1	29.2	2.5	5.8		
				70	41.5	1.38	46.2	51.6	30.0	0.5	1.1	42.7	1.39	47.5	57.3	30.7	1.3	2.9	43.5	1.4	48.3	60.3	31.1	2.4	5.6		
				80	44.3	1.40	49.1	60.3	31.7	0.4	0.9	45.4	1.41	50.2	66.6	32.3	1.2	2.8	46.0	1.4	50.8	69.8	32.5	2.3	5.4		
				90	46.3	1.41	51.1	69.4	33.0	0.3	0.8	Operation not recommended															
70	4.5	1.0	2.3	50	30.1	1.96	36.8	36.6	15.3	0.6	1.4	32.1	1.95	38.8	40.5	16.4	1.4	3.2	33.0	2.0	39.7	42.7	16.7	2.6	5.9		
				60	34.1	1.98	40.9	44.8	17.2	0.5	1.2	37.6	1.96	44.3	48.9	19.2	1.3	3.1	36.6	2.0	43.3	51.9	18.7	2.5	5.8		
				70	39.0	2.01	45.9	52.7	19.4	0.5	1.1	41.7	1.98	48.5	57.6	21.0	1.3	2.9	39.9	2.0	46.7	61.1	19.9	2.4	5.6		
				80	42.7	2.03	49.7	61.0	21.1	0.4	1.0	45.4	2.01	52.3	66.5	22.5	1.2	2.8	42.9	2.0	49.8	70.5	21.1	2.3	5.4		
				90	46.2	2.05	53.2	69.5	22.5	0.3	0.8	Operation not recommended															
	6.8	2.8	6.5	50	30.5	1.86	36.8	36.5	16.4	0.6	1.4	32.5	1.85	38.8	40.4	17.5	1.4	3.2	33.4	1.9	39.8	42.6	17.8	2.6	5.9		
				60	34.6	1.88	41.0	44.6	18.4	0.5	1.2	38.1	1.86	44.4	48.7	20.4	1.3	3.1	37.1	1.9	43.4	51.8	19.9	2.5	5.8		
				70	39.5	1.90	46.0	52.4	20.8	0.5	1.1	42.3	1.88	48.7	57.5	22.4	1.3	2.9	40.4	1.9	46.9	61.0	21.3	2.4	5.6		
				80	43.3	1.93	49.9	60.8	22.5	0.4	0.9	46.0	1.91	52.5	66.4	24.1	1.2	2.8	43.4	1.9	50.0	70.3	22.5	2.3	5.4		
				90	46.8	1.95	53.4	69.2	24.0	0.3	0.8	Operation not recommended															
	9.0	5.1	11.9	50	30.8	1.74	36.8	36.3	17.7	0.6	1.4	32.9	1.74	38.8	40.2	19.0	1.4	3.2	33.8	1.8	39.8	42.5	19.3	2.6	5.9		
				60	35.0	1.76	41.0	44.4	19.9	0.5	1.2	38.6	1.75	44.5	48.6	22.1	1.3	3.1	37.5	1.7	43.5	51.7	21.5	2.5	5.8		
				70	40.0	1.78	46.1	52.2	22.4	0.5	1.1	42.8	1.77	48.8	57.3	24.2	1.3	2.9	40.9	1.8	47.0	60.9	23.0	2.4	5.6		
				80	43.8	1.81	50.0	60.5	24.3	0.4	0.9	46.6	1.79	52.7	66.2	26.0	1.2	2.8	44.0	1.8	50.2	70.2	24.3	2.3	5.4		
				90	47.4	1.83	53.6	68.9	26.0	0.3	0.8	Operation not recommended															
80	4.5	0.9	2.1	50	28.5	2.26	36.2	37.3	13.0	0.6	1.4	30.5	2.27	38.3	36.4	13.8	1.4	3.2	31.3	2.27	39.1	36.1	14.1	2.6	5.9		
				60	32.6	2.28	40.4	45.5	14.7	0.5	1.2	35.8	2.28	43.6	44.1	16.1	1.3	3.1	35.1	2.26	42.8	44.4	15.9	2.5	5.8		
				70	37.6	2.30	45.5	53.3	16.7	0.5	1.1	40.3	2.30	48.2	52.1	17.9	1.3	2.9	38.6	2.30	46.5	52.8	17.2	2.4	5.6		
				80	41.6	2.32	49.5	61.5	18.3	0.4	1.0	44.2	2.33	52.1	60.4	19.4	1.2	2.8	42.0	2.33	49.9	61.3	18.3	2.3	5.4		
				90	45.2	2.35	53.2	69.9	19.6	0.3	0.8	Operation not recommended															
	6.75	2.6	6.0	50	28.9	2.14	36.2	41.4	13.8	0.6	1.4	30.9	2.16	38.2	40.8	14.7	1.4	3.2	31.7	2.16	39.1	40.6	15.1	2.6	5.9		
				60	33.0	2.16	40.4	50.2	15.6	0.5	1.2	36.2	2.16	43.6	49.3	17.2	1.3	3.1	35.5	2.14	42.8	49.5	17.0	2.5	5.8		
				70	38.1	2.18	45.6	58.7	17.8	0.5	1.1	40.8	2.18	48.3	57.9	19.2	1.3	2.9	39.1	2.18	46.6	58.4	18.3	2.4	5.6		
				80	42.1	2.21	49.7	67.5	19.5	0.4	0.9	44.7	2.21	52.3	66.7	20.7	1.2	2.8	42.5	2.21	50.1	67.4	19.6	2.3	5.4		
				90	45.8	2.23	53.3	76.4	20.9	0.3	0.8	Operation not recommended															
	9.0	4.8	11.1	50	29.3	2.01	36.1	43.5	14.9	0.6	1.4	31.3	2.02	38.2	43.0	15.9	1.4	3.2	32.1	2.02	39.0	42.9	16.3	2.6	5.9		
				60	33.5	2.03	40.4	52.6	16.9	0.5	1.2	36.7	2.03	43.6	51.8	18.6	1.3	3.1	36.0	2.01	42.8	52.0	18.3	2.5	5.8		
				70	38.6	2.05	45.6	61.4	19.3	0.5	1.1	41.3	2.05	48.3	60.8	20.7	1.3	2.9	39.6	2.04	46.6	61.2	19.8	2.4	5.6		
				80	42.7	2.07	49.7	70.5	21.0	0.4	0.9	45.3	2.07	52.4	69.9	22.3	1.2	2.8	43.1	2.08	50.1	70.4	21.1	2.3	5.4		
				90	46.3	2.09	53.4	79.7	22.6	0.3	0.8	Operation not recommended															

Interpolation is permissible; extrapolation is not.
 All performance is based upon the lower voltage of dual voltage rated units.
 Performance stated is at the rated power supply; performance may vary as the power supply varies from the rated.
 Operation below 40°F EWT is based upon a 15% methanol antifreeze solution.
 Operation below 60°F EWT requires optional insulated water/refrigerant circuit.
 See performance correction tables for operating conditions other than those listed above.
 See Performance Data Selection Notes for operation in the shaded areas. Calculation to determine percentage of antifreeze required on load side.

Performance Data - HWW036 (60Hz I-P) - Heating

SOURCE				LOAD																					
EWT °F	Flow			EWT °F	Flow 4.5 GPM							Flow 6.8 GPM						Flow 9.0 GPM							
	GPM	WPD			HC Mbtuh	Power KW	HE Mbtuh	LWT °F	COP	WPD		HC Mbtuh	Power KW	HE Mbtuh	LWT °F	COP	WPD		HC Mbtuh	Power KW	HE Mbtuh	LWT °F	COP	WPD	
		PSI	FT							PSI	FT						PSI	FT						PSI	FT
20	9.0	7.7	17.9	60	26.1	1.53	20.9	71.6	5.0	0.5	1.2	26.4	1.45	21.5	67.8	5.3	1.3	3.1	26.5	1.41	21.7	65.9	5.5	2.5	5.8
				80	25.7	1.96	19.0	91.4	3.8	0.4	0.9	25.9	1.86	19.6	87.7	4.1	1.2	2.8	25.9	1.81	19.8	85.8	4.2	2.3	5.4
				100	25.0	2.56	16.3	111.1	2.9	0.3	0.7	25.0	2.42	16.7	107.4	3.0	1.1	2.5	24.9	2.36	16.9	105.5	3.1	2.1	4.9
30	4.5	1.7	4.0	60	27.1	1.54	21.9	72.1	5.2	0.5	1.2	27.5	1.45	22.5	68.1	5.5	1.3	3.1	27.6	1.42	22.7	66.1	5.7	2.5	5.8
				80	26.7	1.97	20.0	91.9	4.0	0.4	0.9	27.0	1.86	20.6	88.0	4.2	1.2	2.8	27.0	1.81	20.8	86.0	4.4	2.3	5.4
				100	26.1	2.56	17.3	111.6	3.0	0.3	0.7	26.1	2.43	17.8	107.7	3.2	1.1	2.5	26.0	2.36	18.0	105.8	3.2	2.1	4.9
				120	25.1	3.32	13.8	131.2	2.2	0.2	0.5	24.9	3.14	14.2	127.4	2.3	0.9	2.1	24.7	3.06	14.3	125.5	2.4	1.8	4.3
	6.8	4.1	9.4	60	28.4	1.54	23.2	72.6	5.4	0.5	1.2	28.8	1.46	23.8	68.5	5.8	1.3	3.1	28.9	1.42	24.1	66.4	6.0	2.5	5.8
				80	27.9	1.97	21.2	92.4	4.2	0.4	0.9	28.2	1.87	21.8	88.4	4.4	1.2	2.8	28.2	1.82	22.0	86.3	4.6	2.3	5.4
				100	27.1	2.57	18.3	112.0	3.1	0.3	0.7	27.2	2.43	18.9	108.0	3.3	1.1	2.5	27.1	2.37	19.0	106.0	3.4	2.1	4.9
				120	25.9	3.33	14.6	131.5	2.3	0.2	0.5	25.7	3.15	15.0	127.6	2.4	0.9	2.1	25.6	3.07	15.1	125.7	2.4	1.8	4.3
	9.0	7.1	16.4	60	29.2	1.54	23.9	73.0	5.5	0.5	1.2	29.6	1.46	24.6	68.8	5.9	1.3	3.1	29.7	1.42	24.8	66.6	6.1	2.5	5.8
				80	28.6	1.98	21.9	92.7	4.2	0.4	0.9	28.9	1.87	22.5	88.6	4.5	1.2	2.8	28.9	1.82	22.7	86.4	4.7	2.3	5.4
				100	27.7	2.58	18.9	112.3	3.2	0.3	0.7	27.8	2.44	19.5	108.2	3.3	1.1	2.5	27.7	2.37	19.6	106.2	3.4	2.1	4.9
				120	26.4	3.34	15.0	131.7	2.3	0.2	0.5	26.2	3.16	15.4	127.8	2.4	0.9	2.1	26.1	3.08	15.6	125.8	2.5	1.8	4.3
40	4.5	1.5	3.5	60	30.7	1.41	25.9	71.5	6.4	0.5	1.2	31.2	1.33	26.7	67.9	6.9	1.3	3.1	31.3	1.30	26.9	66.0	7.1	2.5	5.8
				80	30.6	1.81	24.4	90.8	4.9	0.4	0.9	31.0	1.72	25.1	87.4	5.3	1.2	2.8	31.1	1.67	25.3	85.6	5.4	2.3	5.4
				100	29.9	2.39	21.7	109.7	3.7	0.3	0.7	30.1	2.27	22.4	106.6	3.9	1.1	2.5	30.1	2.21	22.6	105.0	4.0	2.1	4.9
				120	28.8	3.17	18.0	128.0	2.7	0.2	0.5	28.7	3.00	18.5	125.5	2.8	0.9	2.1	28.6	2.92	18.6	124.1	2.9	1.8	4.3
	6.8	3.7	8.6	60	32.6	1.48	27.5	72.2	6.4	0.5	1.2	33.1	1.40	28.3	68.4	6.9	1.3	3.1	33.3	1.37	28.6	66.4	7.1	2.5	5.8
				80	32.1	1.90	25.6	91.4	4.9	0.4	0.9	32.5	1.80	26.3	87.8	5.3	1.2	2.8	32.6	1.75	26.6	85.9	5.4	2.3	5.4
				100	31.1	2.49	22.6	110.0	3.7	0.3	0.7	31.3	2.36	23.3	106.9	3.9	1.1	2.5	31.3	2.30	23.5	105.2	4.0	2.1	4.9
				120	29.7	3.26	18.6	128.3	2.7	0.2	0.5	29.7	3.09	19.1	125.7	2.8	0.9	2.1	29.6	3.01	19.3	124.3	2.9	1.8	4.3
	9.0	6.5	15.1	60	34.5	1.55	29.2	73.0	6.5	0.5	1.2	35.0	1.47	30.0	68.9	7.0	1.3	3.1	35.2	1.43	30.3	66.7	7.2	2.5	5.8
				80	33.6	1.99	26.8	91.9	4.9	0.4	0.9	34.0	1.89	27.6	88.2	5.3	1.2	2.8	34.1	1.84	27.8	86.2	5.4	2.3	5.4
				100	32.3	2.59	23.5	110.4	3.7	0.3	0.7	32.5	2.45	24.2	107.2	3.9	1.1	2.5	32.5	2.39	24.4	105.4	4.0	2.1	4.9
				120	30.7	3.36	19.2	128.5	2.7	0.2	0.5	30.6	3.18	19.8	125.9	2.8	0.9	2.1	30.5	3.09	20.0	124.4	2.9	1.8	4.3
50	4.5	1.3	3.1	60	35.9	1.55	30.6	76.0	6.8	0.5	1.2	36.5	1.47	31.5	70.8	7.3	1.3	3.1	36.7	1.43	31.8	68.2	7.5	2.5	5.8
				80	35.0	2.00	28.2	95.6	5.1	0.4	0.9	35.5	1.89	29.0	90.5	5.5	1.2	2.8	35.6	1.84	29.3	87.9	5.7	2.3	5.4
				100	33.8	2.60	24.9	115.0	3.8	0.3	0.7	34.0	2.46	25.6	110.1	4.1	1.1	2.5	34.0	2.39	25.9	107.6	4.2	2.1	4.9
				120	32.2	3.36	20.7	134.3	2.8	0.2	0.5	32.1	3.18	21.3	129.5	3.0	0.9	2.1	32.1	3.09	21.5	127.1	3.0	1.8	4.3
				130	Operation not recommended										31.1	3.59	18.8	139.2	2.5	0.8	1.9	30.9	3.50	19.0	136.9
	6.75	3.4	7.8	60	37.7	1.56	32.4	76.8	7.1	0.5	1.2	38.4	1.48	33.3	71.4	7.6	1.3	3.1	38.5	1.44	33.6	68.6	7.9	2.5	5.8
				80	36.6	2.00	29.8	96.3	5.4	0.4	0.9	37.1	1.89	30.7	91.0	5.7	1.2	2.8	37.3	1.84	31.0	88.3	5.9	2.3	5.4
				100	35.2	2.60	26.3	115.6	4.0	0.3	0.7	35.5	2.46	27.1	110.5	4.2	1.1	2.5	35.5	2.40	27.3	107.9	4.3	2.1	4.9
				120	33.4	3.37	21.9	134.8	2.9	0.2	0.5	33.4	3.19	22.5	129.9	3.1	0.9	2.1	33.3	3.10	22.7	127.4	3.1	1.8	4.3
	9.0	6.0	13.9	60	38.6	1.56	33.3	77.2	7.2	0.5	1.2	39.3	1.48	34.3	71.7	7.8	1.3	3.1	39.5	1.44	34.6	68.8	8.0	2.5	5.8
				80	37.5	2.01	30.7	96.7	5.5	0.4	0.9	38.0	1.90	31.6	91.3	5.9	1.2	2.8	38.2	1.85	31.9	88.5	6.1	2.3	5.4
				100	36.0	2.61	27.1	116.0	4.0	0.3	0.7	36.3	2.47	27.9	110.8	4.3	1.1	2.5	36.3	2.40	28.1	108.1	4.4	2.1	4.9
120				34.0	3.37	22.5	135.1	3.0	0.2	0.5	34.1	3.19	23.2	130.1	3.1	0.9	2.1	34.0	3.11	23.4	127.6	3.2	1.8	4.3	
130				Operation not recommended										32.8	3.61	20.5	139.7	2.7	0.8	1.9	32.6	3.52	20.6	137.3	2.7

Interpolation is permissible; extrapolation is not.
 All performance is based upon the lower voltage of dual voltage rated units.
 Performance stated is at the rated power supply; performance may vary as the power supply varies from the rated.
 Operation below 40°F EWT is based upon a 15% methanol antifreeze solution.
 Operation below 60°F EWT requires optional insulated water/refrigerant circuit.
 See performance correction tables for operating conditions other than those listed above.
 See Performance Data Selection Notes for operation in the shaded areas. Calculation to determine percentage of antifreeze required on source side.

Table Continued on Next Page

Performance Data - HWW036 (60Hz I-P) - Heating

Continued From Previous Page

SOURCE				LOAD																							
EWT °F	Flow			EWT °F	Flow 4.5 GPM							Flow 6.8 GPM							Flow 9.0 GPM								
	GPM	WPD			HC Mbtuh	Power KW	HE Mbtuh	LWT °F	COP	WPD		HC Mbtuh	Power KW	HE Mbtuh	LWT °F	COP	WPD		HC Mbtuh	Power KW	HE Mbtuh	LWT °F	COP	WPD			
PSI		FT	PSI	FT						PSI	FT						PSI	FT						PSI	FT	PSI	FT
60	4.5	1.2	2.7	60	39.0	1.57	33.6	77.3	7.3	0.5	1.2	39.7	1.48	34.6	71.8	7.8	1.3	3.1	39.9	1.44	34.9	68.9	8.1	2.5	5.8		
				80	38.6	2.01	31.8	97.2	5.6	0.4	0.9	39.2	1.90	32.7	91.6	6.0	1.2	2.8	39.3	1.85	33.0	88.7	6.2	2.3	5.4		
				100	37.6	2.61	28.7	116.7	4.2	0.3	0.7	38.0	2.47	29.6	111.3	4.5	1.1	2.5	38.0	2.40	29.8	108.5	4.6	2.1	4.9		
				120	36.0	3.37	24.5	136.0	3.1	0.2	0.5	36.1	3.19	25.2	130.7	3.3	0.9	2.1	36.0	3.11	25.4	128.0	3.4	1.8	4.3		
				130	Operation not recommended												34.8	3.61	22.5	140.3	2.8	0.8	1.9	34.7	3.51	22.7	137.7
	6.75	3.1	7.1	60	40.6	1.57	35.3	78.1	7.6	0.5	1.2	41.4	1.49	36.3	72.3	8.2	1.3	3.1	41.6	1.45	36.6	69.2	8.4	2.5	5.8		
				80	40.2	2.01	33.4	97.9	5.9	0.4	0.9	40.8	1.90	34.3	92.1	6.3	1.2	2.8	41.0	1.85	34.6	89.1	6.5	2.3	5.4		
				100	39.1	2.61	30.2	117.4	4.4	0.3	0.7	39.5	2.47	31.0	111.7	4.7	1.1	2.5	39.5	2.41	31.3	108.8	4.8	2.1	4.9		
				120	37.2	3.38	25.7	136.5	3.2	0.2	0.5	37.3	3.20	26.4	131.1	3.4	0.9	2.1	37.3	3.11	26.6	128.3	3.5	1.8	4.3		
				130	Operation not recommended												35.9	3.62	23.6	140.6	2.9	0.8	1.9	35.8	3.52	23.8	138.0
	9.0	5.6	12.8	60	41.5	1.57	36.1	78.4	7.7	0.5	1.2	42.2	1.49	37.2	72.5	8.3	1.3	3.1	42.4	1.45	37.5	69.4	8.6	2.5	5.8		
				80	41.0	2.01	34.1	98.2	6.0	0.4	0.9	41.6	1.91	35.1	92.3	6.4	1.2	2.8	41.8	1.86	35.5	89.3	6.6	2.3	5.4		
100				39.8	2.62	30.9	117.7	4.5	0.3	0.7	40.2	2.48	31.8	111.9	4.8	1.1	2.5	40.3	2.41	32.0	109.0	4.9	2.1	4.9			
120				37.8	3.38	26.3	136.8	3.3	0.2	0.5	38.0	3.20	27.0	131.2	3.5	0.9	2.1	37.9	3.12	27.3	128.4	3.6	1.8	4.3			
130				Operation not recommended												36.5	3.62	24.1	140.8	3.0	0.8	1.9	36.4	3.53	24.4	138.1	3.0
70	4.5	1.0	2.3	60	42.1	1.58	36.7	78.7	7.8	0.5	1.2	42.9	1.49	37.8	72.7	8.4	1.3	3.1	43.1	1.46	38.1	69.6	8.7	2.5	5.8		
				80	42.4	2.02	35.5	98.8	6.2	0.4	0.9	43.0	1.91	36.5	92.7	6.6	1.2	2.8	43.2	1.86	36.8	89.6	6.8	2.3	5.4		
				100	41.6	2.62	32.7	118.5	4.7	0.3	0.7	42.1	2.48	33.6	112.5	5.0	1.1	2.5	42.2	2.41	33.9	109.4	5.1	2.1	4.9		
				120	39.8	3.38	28.3	137.7	3.5	0.2	0.5	40.0	3.20	29.1	131.9	3.7	0.9	2.1	40.0	3.12	29.4	128.9	3.8	1.8	4.3		
				130	Operation not recommended												38.6	3.62	26.3	141.4	3.1	0.8	1.9	38.5	3.53	26.5	138.6
	6.75	2.8	6.5	60	43.6	1.58	38.2	79.4	8.1	0.5	1.2	44.4	1.50	39.3	73.2	8.7	1.3	3.1	44.7	1.46	39.7	69.9	9.0	2.5	5.8		
				80	43.8	2.02	36.9	99.5	6.4	0.4	0.9	44.5	1.91	38.0	93.2	6.8	1.2	2.8	44.7	1.86	38.4	89.9	7.0	2.3	5.4		
				100	43.0	2.62	34.0	119.1	4.8	0.3	0.7	43.5	2.49	35.0	112.9	5.1	1.1	2.5	43.6	2.42	35.3	109.7	5.3	2.1	4.9		
				120	41.0	3.39	29.5	138.2	3.5	0.2	0.5	41.3	3.21	30.3	132.2	3.8	0.9	2.1	41.3	3.13	30.6	129.2	3.9	1.8	4.3		
				130	Operation not recommended												39.7	3.63	27.3	141.8	3.2	0.8	1.9	39.7	3.54	27.6	138.8
	9.0	5.1	11.9	60	44.3	1.59	38.9	79.7	8.2	0.5	1.2	45.1	1.50	40.0	73.4	8.8	1.3	3.1	45.4	1.46	40.4	70.1	9.1	2.5	5.8		
				80	44.5	2.02	37.6	99.8	6.4	0.4	0.9	45.2	1.92	38.7	93.4	6.9	1.2	2.8	45.4	1.87	39.1	90.1	7.1	2.3	5.4		
100				43.6	2.63	34.6	119.4	4.9	0.3	0.7	44.1	2.49	35.6	113.1	5.2	1.1	2.5	44.2	2.42	36.0	109.8	5.4	2.1	4.9			
120				41.6	3.40	30.0	138.5	3.6	0.2	0.5	41.8	3.22	30.9	132.4	3.8	0.9	2.1	41.8	3.13	31.1	129.3	3.9	1.8	4.3			
130				Operation not recommended												40.2	3.64	27.8	141.9	3.2	0.8	1.9	40.2	3.54	28.1	138.9	3.3
80	4.5	0.9	2.0	60	45.3	1.59	39.8	80.1	8.3	0.5	1.2	46.1	1.51	41.0	73.7	9.0	1.3	3.1	46.4	1.47	41.4	70.3	9.3	2.5	5.8		
				80	46.2	2.03	39.2	100.5	6.7	0.4	0.9	46.9	1.92	40.4	93.9	7.2	1.2	2.8	47.1	1.87	40.8	90.5	7.4	2.3	5.4		
				100	45.7	2.63	36.7	120.3	5.1	0.3	0.7	46.3	2.49	37.8	113.7	5.4	1.1	2.5	46.4	2.42	38.1	110.3	5.6	2.1	4.9		
				120	43.8	3.40	32.2	139.5	3.8	0.2	0.5	44.1	3.22	33.2	133.1	4.0	0.9	2.1	44.2	3.13	33.5	129.8	4.1	1.8	4.3		
				130	Operation not recommended												27.9	3.61	15.6	138.3	2.3	0.8	1.9	27.7	3.51	15.7	136.2
	6.75	2.6	5.9	60	46.6	1.59	41.2	80.7	8.6	0.5	1.2	47.5	1.51	42.4	74.1	9.2	1.3	3.1	47.8	1.47	42.8	70.6	9.5	2.5	5.8		
				80	47.5	2.03	40.6	101.1	6.9	0.4	0.9	48.3	1.92	41.7	94.3	7.4	1.2	2.8	48.5	1.87	42.1	90.8	7.6	2.3	5.4		
				100	46.9	2.64	37.9	120.9	5.2	0.3	0.7	47.5	2.50	39.0	114.1	5.6	1.1	2.5	47.7	2.43	39.4	110.6	5.8	2.1	4.9		
				120	44.9	3.40	33.3	140.0	3.9	0.2	0.5	45.3	3.22	34.3	133.4	4.1	0.9	2.1	45.3	3.14	34.6	130.1	4.2	1.8	4.3		
				130	Operation not recommended												28.5	3.62	16.1	138.4	2.3	0.8	1.9	28.3	3.52	16.3	136.3
	9.0	4.8	11.0	60	47.1	1.60	41.7	81.0	8.7	0.5	1.2	48.1	1.51	42.9	74.2	9.3	1.3	3.1	48.3	1.47	43.3	70.7	9.6	2.5	5.8		
				80	48.0	2.03	41.1	101.3	6.9	0.4	0.9	48.8	1.93	42.3	94.5	7.4	1.2	2.8	49.0	1.88	42.7	90.9	7.7	2.3	5.4		
100				47.4	2.64	38.4	121.1	5.3	0.3	0.7	48.1	2.50	39.5	114.2	5.6	1.1	2.5	48.2	2.43	39.9	110.7	5.8	2.1	4.9			
120				45.4	3.41	33.7	140.2	3.9	0.2	0.5	45.7	3.23	34.7	133.5	4.2	0.9	2.1	45.8	3.14	35.0	130.2	4.3	1.8	4.3			
130				Operation not recommended																							

Interpolation is permissible; extrapolation is not.
 All performance is based upon the lower voltage of dual voltage rated units.
 Performance stated is at the rated power supply; performance may vary as the power supply varies from the rated.
 Operation below 40°F EWT is based upon a 15% methanol antifreeze solution.
 Operation below 60°F EWT requires optional insulated water/refrigerant circuit.
 See performance correction tables for operating conditions other than those listed above.
 See Performance Data Selection Notes for operation in the shaded areas. Calculation to determine percentage of antifreeze required on source side.

Performance Data - HWW060 (60Hz I-P) - Cooling

SOURCE					LOAD																									
EWT °F	Flow				EWT °F	Flow 7.5 GPM						Flow 11.25 GPM						Flow 15.0 GPM												
	GPM	WPD		PSI		FT	TC Mbtuh	Power kW	HR Mbtuh	LWT °F	EER	WPD	PSI	FT	TC Mbtuh	Power kW	HR Mbtuh	LWT °F	EER	WPD	PSI	FT	TC Mbtuh	Power kW	HR Mbtuh	LWT °F	EER	WPD	PSI	FT
		PSI	FT																											
50	7.5	1.3	2.9		50	52.6	2.20	60.1	38.2	23.9	1.4	3.3	53.5	2.23	61.1	41.0	24.0	3.5	8.0	55.3	2.25	63.0	42.5	24.6	4.8	11.0				
					60	53.2	2.22	60.8	47.1	23.9	1.4	3.2	54.1	2.25	61.7	50.5	24.1	3.3	7.7	55.9	2.27	63.7	52.4	24.7	4.6	10.6				
					70	53.8	2.24	61.4	56.0	24.0	1.3	3.0	54.7	2.26	62.4	60.0	24.1	3.2	7.4	56.6	2.29	64.4	62.2	24.7	4.4	10.1				
					80	55.5	2.24	63.2	64.7	24.7	1.2	2.9	56.4	2.27	64.1	69.4	24.9	3.1	7.1	58.4	2.29	66.2	72.0	25.5	4.3	9.8				
					90	57.2	2.25	64.9	73.5	25.5	1.2	2.7	58.1	2.27	65.9	78.9	25.6	3.0	6.9	60.2	2.29	68.0	81.8	26.3	4.1	9.5				
	11.25	3.4	7.9		50	53.4	2.23	61.0	38.0	24.0	1.4	3.3	54.1	2.25	61.8	40.8	24.1	3.5	8.0	56.0	2.27	63.8	42.3	24.7	4.8	11.0				
					60	55.5	2.25	63.1	46.7	24.7	1.4	3.2	56.2	2.27	64.0	50.1	24.8	3.3	7.7	58.2	2.29	66.0	52.0	25.4	4.6	10.6				
					70	57.5	2.26	65.3	55.4	25.4	1.3	3.0	58.3	2.29	66.1	59.4	25.5	3.2	7.4	60.4	2.31	68.3	61.6	26.1	4.4	10.2				
					80	58.1	2.27	65.8	64.3	25.6	1.2	2.9	58.9	2.29	66.7	69.0	25.7	3.1	7.1	60.9	2.31	68.8	71.5	26.4	4.3	9.8				
					90	58.6	2.27	66.3	73.2	25.8	1.2	2.7	59.4	2.29	67.2	78.5	25.9	3.0	6.9	61.5	2.31	69.4	81.4	26.6	4.1	9.5				
	15.0	6.2	14.2		50	55.6	2.25	63.2	35.8	24.7	1.4	3.3	56.5	2.27	64.2	40.3	24.9	3.5	8.0	57.9	2.29	65.8	42.1	25.2	4.8	11.1				
					60	57.5	2.27	65.2	45.0	25.3	1.4	3.2	58.7	2.29	66.6	49.8	25.6	3.3	7.7	61.5	2.31	69.4	51.5	26.6	4.6	10.6				
					70	59.4	2.29	67.2	54.1	26.0	1.3	3.0	61.0	2.31	68.9	59.3	26.4	3.2	7.4	65.1	2.33	73.1	60.9	27.9	4.4	10.1				
					80	60.3	2.29	68.1	63.5	26.4	1.2	2.9	61.8	2.31	69.7	68.7	26.7	3.1	7.1	65.8	2.34	73.8	70.8	28.2	4.2	9.8				
					90	61.3	2.29	69.1	72.8	26.7	1.2	2.7	62.6	2.31	70.5	78.1	27.0	3.0	6.9	66.6	2.34	74.6	80.7	28.5	4.1	9.4				
70	7.5	1.1	2.5		50	49.1	2.82	58.7	38.1	17.4	1.4	3.3	50.3	2.85	60.0	41.1	17.7	3.5	8.0	52.0	2.88	61.8	42.9	18.1	4.7	11.0				
					60	53.2	2.84	62.9	46.4	18.7	1.4	3.2	54.5	2.87	64.3	50.0	19.0	3.3	7.7	56.3	2.90	66.2	52.3	19.4	4.6	10.5				
					70	57.2	2.86	67.0	54.8	20.0	1.3	3.0	58.7	2.89	68.5	59.1	20.3	3.2	7.4	60.6	2.92	70.6	61.7	20.8	4.4	10.1				
					80	59.3	2.92	69.3	63.4	20.3	1.2	2.9	60.8	2.95	70.9	68.3	20.6	3.1	7.1	62.9	2.98	73.0	71.4	21.1	4.3	9.8				
					90	61.4	2.98	71.6	71.9	20.6	1.2	2.7	63.0	3.01	73.3	77.6	20.9	3.0	6.9	65.1	3.04	75.5	81.1	21.4	4.1	9.5				
	11.25	3.0	6.9		50	50.2	2.85	59.9	38.0	17.6	1.4	3.3	51.4	2.88	61.2	41.0	17.8	3.5	8.0	53.1	2.91	63.0	42.8	18.3	4.8	11.0				
					60	54.5	2.87	64.3	46.2	19.0	1.4	3.2	55.9	2.90	65.8	49.8	19.3	3.3	7.7	57.7	2.93	67.7	52.1	19.7	4.6	10.6				
					70	58.9	2.89	68.8	54.5	20.4	1.3	3.0	60.4	2.92	70.3	58.8	20.7	3.2	7.4	62.4	2.94	72.4	61.4	21.2	4.4	10.2				
					80	60.8	2.95	70.8	63.1	20.6	1.2	2.9	62.3	2.98	72.4	68.1	20.9	3.1	7.1	64.4	3.01	74.6	71.1	21.4	4.3	9.9				
					90	62.6	3.01	72.9	71.7	20.8	1.2	2.7	64.2	3.04	74.5	77.3	21.1	3.0	6.9	66.3	3.07	76.8	80.8	21.6	4.1	9.6				
	15.0	5.5	12.8		50	51.2	2.88	61.0	36.9	17.8	1.4	3.3	53.3	2.91	63.2	40.8	18.3	3.5	8.0	54.3	2.94	64.3	42.6	18.5	4.8	11.0				
					60	55.6	2.90	65.5	45.4	19.2	1.4	3.2	57.6	2.93	67.6	49.6	19.7	3.3	7.7	59.4	2.96	69.5	51.8	20.1	4.6	10.6				
					70	60.1	2.92	70.1	53.9	20.6	1.3	3.0	61.9	2.94	72.0	58.5	21.0	3.2	7.4	64.5	2.97	74.6	61.1	21.7	4.4	10.1				
					80	62.3	2.98	72.5	62.7	20.9	1.2	2.9	64.1	3.01	74.4	67.8	21.3	3.1	7.1	67.1	3.04	77.5	70.6	22.1	4.2	9.8				
					90	64.6	3.04	74.9	71.5	21.3	1.2	2.7	66.3	3.07	76.8	77.1	21.6	3.0	6.9	69.8	3.10	80.3	80.2	22.5	4.1	9.5				
80	7.5	1.0	2.3		50	47.3	3.13	58.0	38.0	15.1	1.4	3.3	48.7	3.16	59.5	41.1	15.4	3.5	8.0	50.3	3.19	61.2	43.1	15.8	4.7	10.9				
					60	53.1	3.15	63.9	46.1	16.9	1.4	3.2	54.7	3.18	65.6	49.8	17.2	3.3	7.7	56.5	3.21	67.5	52.3	17.6	4.6	10.5				
					70	58.9	3.17	69.7	54.2	18.6	1.3	3.0	60.7	3.20	71.6	58.6	19.0	3.2	7.4	62.7	3.23	73.7	61.5	19.4	4.4	10.1				
					80	61.3	3.25	72.4	62.7	18.8	1.2	2.9	63.1	3.29	74.3	67.8	19.2	3.1	7.1	65.1	3.32	76.5	71.1	19.6	4.3	9.8				
					90	63.6	3.34	75.0	71.1	19.0	1.2	2.7	65.4	3.38	77.0	76.9	19.4	3.0	6.9	67.6	3.41	79.2	80.7	19.8	4.1	9.6				
	11.25	2.8	6.5		50	48.5	3.16	59.3	38.0	15.3	1.4	3.3	50.0	3.19	60.9	41.1	15.6	3.5	8.0	51.6	3.23	62.6	43.0	16.0	4.8	11.1				
					60	54.1	3.18	64.9	46.0	17.0	1.4	3.2	55.7	3.21	66.6	49.7	17.3	3.3	7.7	57.5	3.24	68.6	52.2	17.7	4.6	10.6				
					70	59.6	3.20	70.5	54.0	18.7	1.3	3.0	61.4	3.23	72.4	58.4	19.0	3.2	7.4	63.4	3.26	74.5	61.3	19.4	4.4	10.2				
					80	62.1	3.29	73.4	62.5	18.9	1.2	2.9	64.0	3.32	75.3	67.6	19.3	3.1	7.1	66.1	3.35	77.5	70.9	19.7	4.3	9.9				
					90	64.6	3.38	76.2	71.0	19.1	1.2	2.7	66.6	3.41	78.2	76.8	19.5	3.0	6.9	68.7	3.45	80.5	80.6	19.9	4.2	9.6				
	15.0	5.3	12.1		50	49.0	3.19	59.9	37.4	15.3	1.4	3.3	51.7	3.23	62.7	41.0	16.0	3.5	8.0	52.4	3.26	63.5	42.9	16.1	4.8	11.0				
					60	54.7	3.21	65.7	45.6	17.0	1.4	3.2	57.1	3.24	68.1	49.5	17.6	3.3	7.7	58.3	3.28	69.5	52.0	17.8	4.6	10.6				
					70	60.5	3.23	71.5	53.8	18.7	1.3	3.0	62.4	3.26	73.5	58.1	19.1	3.2	7.4	64.2	3.30	75.4	61.1	19.5	4.4	10.1				
					80	63.3	3.32	74.7	62.3	19.1	1.2	2.9	65.3	3.35	76.7	67.4	19.5	3.1	7.1	67.8	3.39	79.3	70.5	20.0	4.3	9.8				
					90	66.2	3.41	77.9	70.8	19.4	1.2	2.7	68.2	3.45	79.9	76.7	19.8	3.0	6.9	71.4	3.48	83.2	80.0	20.5	4.1	9.6				

Interpolation is permissible; extrapolation is not.

All performance is based upon the lower voltage of dual voltage rated units.

Performance stated is at the rated power supply; performance may vary as the power supply varies from the rated.

Operation below 40°F EWT is based upon a 15% methanol antifreeze solution.

Operation below 60°F EWT requires optional insulated water/refrigerant circuit.

See performance correction tables for operating conditions other than those listed above.

See Performance Data Selection Notes for operation in the shaded areas. Calculation to determine percentage of antifreeze required on load side.

Table Continued on Next Page

Performance Data - HWW060 (60Hz I-P) - Cooling

Continued From Previous Page

SOURCE					LOAD																				
EWT °F	Flow				EWT °F	Flow 7.5 GPM						Flow 11.25 GPM						Flow 15.0 GPM							
	GPM	WPD		TC Mbtuh		Power kW	HR Mbtuh	LWT °F	EER	WPD		TC Mbtuh	Power kW	HR Mbtuh	LWT °F	EER	WPD		TC Mbtuh	Power kW	HR Mbtuh	LWT °F	EER	WPD	
		PSI	FT							PSI	FT						PSI	FT						PSI	FT
90	7.5	0.9	2.1	50	44.8	3.57	57.0	38.7	12.5	1.4	3.3	46.3	3.61	58.6	41.6	12.8	3.5	8.0	47.5	3.65	59.9	43.4	13.0	4.7	10.9
				60	50.7	3.61	63.0	46.8	14.0	1.4	3.2	52.3	3.65	64.8	50.3	14.3	3.3	7.7	53.7	3.68	66.3	52.6	14.6	4.5	10.5
				70	56.6	3.65	69.0	54.9	15.3	3.0	58.4	3.69	70.9	59.1	15.8	3.2	7.4	59.9	3.72	72.6	61.8	16.1	4.4	10.1	
				80	59.6	3.73	72.4	63.4	16.0	1.2	2.9	61.5	3.77	74.4	68.2	16.3	3.1	7.1	63.1	3.81	76.1	71.3	16.6	4.3	9.8
				90	62.7	3.82	75.7	71.9	16.4	1.2	2.7	64.7	3.86	77.9	77.3	16.8	3.0	6.9	66.4	3.90	79.7	80.9	17.0	4.1	9.6
	11.25	2.7	6.1	50	45.9	3.61	58.2	38.6	12.7	1.4	3.3	47.4	3.65	59.8	41.5	13.0	3.5	8.0	48.6	3.68	61.2	43.4	13.2	4.8	11.0
				60	51.8	3.65	64.3	46.7	14.2	1.4	3.2	53.5	3.68	66.0	50.2	14.5	3.3	7.7	54.9	3.72	67.6	52.5	14.7	4.6	10.6
				70	57.7	3.69	70.3	54.8	15.7	1.3	3.0	59.6	3.72	72.3	58.9	16.0	3.2	7.4	61.1	3.76	73.9	61.6	16.2	4.4	10.2
				80	60.7	3.77	73.6	63.2	16.1	1.2	2.9	62.6	3.81	75.7	68.0	16.4	3.1	7.1	64.3	3.85	77.4	71.1	16.7	4.3	9.9
				90	63.7	3.86	76.9	71.7	16.5	1.2	2.7	65.7	3.90	79.0	77.1	16.9	3.0	6.9	67.4	3.94	80.9	80.6	17.1	4.1	9.6
	15.0	5.0	11.6	50	46.5	3.65	59.0	38.1	12.8	1.4	3.3	48.6	3.68	61.1	41.4	13.2	3.5	8.0	49.5	3.72	62.2	43.3	13.3	4.7	10.9
				60	52.4	3.68	64.9	46.2	14.2	1.4	3.2	54.2	3.72	66.9	50.1	14.6	3.3	7.7	55.8	3.76	68.6	52.4	14.8	4.6	10.5
70				58.2	3.72	70.9	54.3	15.6	1.3	3.0	59.8	3.76	72.7	58.7	15.9	3.2	7.4	62.0	3.80	75.0	61.5	16.3	4.4	10.1	
80				61.6	3.81	74.6	62.9	16.2	1.2	2.9	63.4	3.85	76.6	67.8	16.5	3.1	7.1	65.8	3.89	79.0	70.8	16.9	4.3	9.8	
90				65.1	3.90	78.4	71.6	16.7	1.2	2.7	67.0	3.94	80.5	77.0	17.0	3.0	6.9	69.5	3.98	83.1	80.2	17.5	4.1	9.5	
110	7.5	0.8	1.8	50	39.8	4.46	55.0	39.9	8.9	1.4	3.3	41.3	4.50	56.7	42.5	9.2	3.5	8.0	41.7	4.55	57.3	44.1	9.2	4.7	10.9
				60	45.8	4.54	61.3	48.2	10.1	1.4	3.2	47.5	4.58	63.1	51.2	10.4	3.3	7.7	48.0	4.63	63.8	53.2	10.4	4.5	10.4
				70	51.8	4.62	67.5	56.4	11.2	1.3	3.0	53.7	4.66	69.6	60.0	11.5	3.2	7.4	54.3	4.71	70.4	62.4	11.5	4.3	10.0
				80	56.4	4.69	72.4	64.9	12.0	1.2	2.9	58.5	4.74	74.7	69.0	12.3	3.1	7.1	59.1	4.79	75.5	71.7	12.3	4.2	9.8
				90	61.0	4.77	77.3	73.4	12.8	1.2	2.7	63.3	4.82	79.7	78.0	13.1	3.0	6.9	64.0	4.87	80.6	81.1	13.1	4.2	9.6
	11.25	2.4	5.6	50	40.6	4.50	56.0	39.9	9.0	1.4	3.3	42.2	4.55	57.7	42.4	9.3	3.5	8.0	42.6	4.60	58.3	44.1	9.3	4.8	11.0
				60	47.3	4.58	62.9	48.1	10.3	1.4	3.2	49.0	4.63	64.8	51.2	10.6	3.3	7.7	49.6	4.68	65.5	53.2	10.6	4.6	10.5
				70	53.9	4.66	69.8	56.3	11.6	1.3	3.0	55.9	4.71	72.0	59.9	11.9	3.2	7.4	56.5	4.76	72.7	62.2	11.9	4.4	10.1
				80	57.9	4.74	74.0	64.7	12.2	1.2	2.9	60.0	4.79	76.4	68.8	12.5	3.1	7.1	60.7	4.84	77.2	71.5	12.5	4.2	9.8
				90	61.8	4.82	78.3	73.1	12.8	1.2	2.7	64.1	4.87	80.8	77.7	13.2	3.0	6.9	64.8	4.92	81.6	80.8	13.2	4.1	9.5
	15.0	4.6	10.7	50	41.5	4.55	57.1	39.4	9.1	1.4	3.3	42.3	4.60	58.0	42.4	9.2	3.5	8.0	43.8	4.64	59.7	44.0	9.4	4.7	10.8
				60	47.6	4.63	63.4	47.4	10.3	1.4	3.2	48.5	4.68	64.5	51.1	10.4	3.3	7.7	50.7	4.72	66.8	53.1	10.7	4.5	10.5
70				53.7	4.71	69.8	55.3	11.4	1.3	3.0	54.7	4.76	70.9	59.9	11.5	3.2	7.4	57.6	4.80	74.0	62.2	12.0	4.4	10.2	
80				58.3	4.79	74.6	64.2	12.2	1.2	2.9	59.7	4.84	76.2	68.7	12.3	3.1	7.1	61.7	4.89	78.4	71.4	12.6	4.3	9.8	
90				62.8	4.87	79.4	73.0	12.9	1.2	2.7	64.8	4.92	81.6	77.6	13.2	3.0	6.9	65.8	4.97	82.8	80.7	13.2	4.1	9.5	
120	7.5	0.7	1.7	50	37.0	5.04	54.2	40.3	7.3	1.4	3.3	38.5	5.09	55.9	43.2	7.6	3.5	8.0	39.3	5.14	56.8	44.7	7.6	4.7	10.9
				60	42.7	5.13	60.2	48.6	8.3	1.4	3.2	44.4	5.18	62.1	52.0	8.6	3.3	7.7	45.3	5.23	63.2	53.8	8.7	4.5	10.5
				70	48.4	5.21	66.2	56.9	9.3	1.3	3.0	50.4	5.27	68.3	60.8	9.6	3.2	7.4	51.4	5.32	69.5	62.9	9.7	4.3	10.0
				80	53.0	5.31	71.1	65.2	10.0	1.2	2.9	55.1	5.36	73.4	69.7	10.3	3.1	7.1	56.2	5.42	74.7	72.1	10.4	4.2	9.7
				90	57.5	5.40	76.0	73.5	10.6	1.2	2.7	59.9	5.46	78.5	78.6	11.0	3.0	6.9	61.1	5.51	79.9	81.3	11.1	4.1	9.4
	11.25	2.4	5.5	50	37.2	5.09	54.6	40.3	7.3	1.4	3.3	38.8	5.14	56.3	43.1	7.5	3.5	8.0	39.6	5.19	57.3	44.6	7.6	4.8	11.1
				60	43.2	5.18	60.8	48.5	8.3	1.4	3.2	44.9	5.23	62.8	51.9	8.6	3.3	7.7	45.8	5.28	63.8	53.7	8.7	4.6	10.6
				70	49.1	5.27	67.0	56.7	9.3	1.3	3.0	51.1	5.32	69.2	60.6	9.6	3.2	7.4	52.1	5.37	70.4	62.7	9.7	4.4	10.1
				80	53.6	5.36	71.9	65.0	10.0	1.2	2.9	55.8	5.42	74.3	69.6	10.3	3.1	7.1	57.0	5.47	75.6	72.0	10.4	4.2	9.8
				90	58.2	5.46	76.9	73.4	10.7	1.2	2.7	60.6	5.51	79.4	78.5	11.0	3.0	6.9	61.8	5.57	80.9	81.3	11.1	4.1	9.5
	15.0	4.5	10.3	50	38.5	5.14	56.0	40.0	7.5	1.4	3.3	40.1	5.19	57.8	42.9	7.7	3.5	8.0	40.8	5.25	58.7	44.5	7.8	4.7	11.0
				60	44.4	5.23	62.2	48.2	8.5	1.4	3.2	46.4	5.28	64.4	51.7	8.8	3.3	7.7	47.3	5.34	65.5	53.6	8.9	4.6	10.5
70				50.3	5.32	68.4	56.5	9.5	1.3	3.0	52.7	5.37	71.1	60.5	9.8	3.2	7.4	53.8	5.43	72.3	62.6	9.9	4.4	10.1	
80				54.9	5.42	73.4	64.9	10.1	1.2	2.9	57.5	5.47	76.2	69.5	10.5	3.1	7.1	58.6	5.53	77.5	71.9	10.6	4.2	9.8	
90				59.6	5.51	78.4	73.3	10.8	1.2	2.7	62.3	5.57	81.3	78.5	11.2	3.0	6.9	63.4	5.63	82.6	81.2	11.3	4.1	9.5	

Interpolation is permissible; extrapolation is not.
 All performance is based upon the lower voltage of dual voltage rated units.
 Performance stated is at the rated power supply; performance may vary as the power supply varies from the rated.
 Operation below 40°F EWT is based upon a 15% methanol antifreeze solution.
 Operation below 60°F EWT requires optional insulated water/refrigerant circuit.
 See performance correction tables for operating conditions other than those listed above.
 See Performance Data Selection Notes for operation in the shaded areas. Calculation to determine percentage of antifreeze required on load side.

Performance Data - HWW060 (60Hz I-P) - Heating

SOURCE				LOAD																					
EWT °F	Flow			EWT °F	Flow 7.5 GPM						Flow 11.25 GPM						Flow 15.0 GPM								
	GPM	WPD			HC Mbtuh	Power kW	HE Mbtuh	LWT °F	COP	WPD		HC Mbtuh	Power kW	HE Mbtuh	LWT °F	COP	WPD		HC Mbtuh	Power kW	HE Mbtuh	LWT °F	COP	WPD	
		PSI	FT							PSI	FT						PSI	FT						PSI	FT
20	15.0	7.3	16.9	60	41.1	2.43	32.8	71.5	5.0	1.4	3.2	41.3	2.38	33.2	67.4	5.1	3.3	7.7	41.5	2.33	33.5	65.3	5.2	6.0	13.8
				80	40.5	3.17	29.6	91.2	3.7	1.2	2.9	40.6	3.11	30.0	87.2	3.8	3.1	7.1	40.7	3.05	30.3	85.3	3.9	5.6	13.0
				100	39.7	4.11	25.6	110.8	2.8	1.1	2.6	39.7	4.03	25.9	106.9	2.9	2.9	6.7	39.7	3.95	26.2	105.1	2.9	5.3	12.3
30	7.5	1.5	3.5	60	47.8	2.52	39.2	73.3	5.6	1.4	3.2	48.0	2.47	39.6	68.6	5.7	3.3	7.7	48.3	2.42	40.0	66.3	5.8	6.0	13.8
				80	46.9	3.28	35.7	92.9	4.2	1.2	2.9	47.1	3.21	36.1	88.4	4.3	3.1	7.1	47.2	3.15	36.5	86.1	4.4	5.6	13.0
				100	45.8	4.22	31.4	112.4	3.2	1.1	2.6	45.9	4.14	31.8	108.1	3.3	2.9	6.7	45.9	4.05	32.1	105.9	3.3	5.3	12.3
				120	44.6	5.36	26.3	131.9	2.4	1.1	2.4	44.5	5.25	26.6	127.7	2.5	2.8	6.4	44.4	5.14	26.9	125.7	2.5	5.1	11.7
	11.25	4.0	9.2	60	50.0	2.56	41.3	73.6	5.7	1.4	3.2	50.3	2.51	41.7	68.9	5.9	3.3	7.7	50.5	2.46	42.1	66.6	6.0	6.0	13.8
				80	49.0	3.33	37.6	93.3	4.3	1.2	2.9	49.1	3.26	38.0	88.7	4.4	3.1	7.1	49.3	3.20	38.4	86.5	4.5	5.6	13.0
				100	47.8	4.29	33.2	112.8	3.3	1.1	2.6	47.9	4.21	33.5	108.4	3.3	2.9	6.7	47.9	4.12	33.9	106.2	3.4	5.3	12.3
				120	46.6	5.45	28.0	132.1	2.5	1.1	2.4	46.5	5.34	28.3	128.0	2.6	2.8	6.4	46.4	5.23	28.6	125.9	2.6	5.1	11.7
	15.0	6.9	15.9	60	52.0	2.61	43.1	73.9	5.8	1.4	3.2	52.2	2.55	43.5	69.1	6.0	3.3	7.7	52.5	2.50	43.9	66.8	6.1	6.0	13.8
				80	50.9	3.39	39.3	93.4	4.4	1.2	2.9	51.1	3.32	39.7	88.9	4.5	3.1	7.1	51.2	3.25	40.1	86.6	4.6	5.6	13.0
				100	49.6	4.36	34.7	112.9	3.3	1.1	2.6	49.7	4.28	35.1	108.6	3.4	2.9	6.7	49.7	4.19	35.4	106.4	3.5	5.3	12.3
				120	48.1	5.54	29.2	132.3	2.5	1.1	2.4	48.0	5.43	29.5	128.2	2.6	2.8	6.4	47.9	5.32	29.8	126.1	2.6	5.1	11.7
40	7.5	1.4	3.2	60	54.4	2.61	45.5	75.0	6.1	1.4	3.2	54.7	2.56	46.0	69.7	6.3	3.3	7.7	55.1	2.51	46.5	67.2	6.4	6.0	13.8
				80	53.4	3.38	41.8	94.6	4.6	1.2	2.9	53.6	3.31	42.3	89.6	4.7	3.1	7.1	53.8	3.25	42.7	87.0	4.9	5.6	13.0
				100	52.0	4.33	37.2	114.0	3.5	1.1	2.6	52.1	4.24	37.6	109.2	3.6	2.9	6.7	52.2	4.16	38.0	106.7	3.7	5.3	12.3
				120	50.4	5.46	31.8	133.4	2.7	1.1	2.4	50.3	5.35	32.1	128.7	2.8	2.8	6.4	50.3	5.24	32.4	126.4	2.8	5.1	11.7
	11.25	3.7	8.5	60	57.4	2.65	48.3	75.5	6.4	1.4	3.2	57.7	2.59	48.8	70.1	6.5	3.3	7.7	58.0	2.54	49.3	67.5	6.7	6.0	13.8
				80	55.9	3.42	44.2	95.1	4.8	1.2	2.9	56.1	3.36	44.7	90.0	4.9	3.1	7.1	56.4	3.29	45.1	87.4	5.0	5.6	13.0
				100	54.3	4.38	39.4	114.5	3.6	1.1	2.6	54.4	4.30	39.8	109.7	3.7	2.9	6.7	54.5	4.21	40.2	107.1	3.8	5.3	12.3
				120	52.6	5.53	33.7	133.8	2.8	1.1	2.4	52.6	5.42	34.1	129.1	2.8	2.8	6.4	52.5	5.31	34.4	126.8	2.9	5.1	11.7
	15.0	6.5	15.1	60	59.2	2.68	50.1	75.9	6.5	1.4	3.2	59.6	2.63	50.6	70.5	6.6	3.3	7.7	59.9	2.58	51.1	67.9	6.8	6.0	13.8
				80	57.8	3.47	46.0	95.3	4.9	1.2	2.9	58.0	3.40	46.4	90.3	5.0	3.1	7.1	58.3	3.33	46.9	87.6	5.1	5.6	13.0
				100	56.1	4.44	40.9	114.7	3.7	1.1	2.6	56.2	4.35	41.3	109.9	3.8	2.9	6.7	56.3	4.27	41.7	107.3	3.9	5.3	12.3
				120	54.0	5.60	34.9	134.0	2.8	1.1	2.4	54.0	5.49	35.2	129.3	2.9	2.8	6.4	54.0	5.38	35.6	127.0	2.9	5.1	11.7
50	7.5	1.3	2.9	60	61.1	2.70	51.9	76.8	6.6	1.4	3.2	61.5	2.65	52.4	70.8	6.8	3.3	7.7	61.8	2.60	53.0	68.1	7.0	6.0	13.8
				80	59.8	3.48	47.9	96.3	5.0	1.2	2.9	60.1	3.41	48.4	90.8	5.2	3.1	7.1	60.3	3.34	48.9	87.8	5.3	5.6	13.0
				100	58.2	4.43	43.0	115.6	3.8	1.1	2.6	58.3	4.34	43.5	110.4	3.9	2.9	6.7	58.5	4.26	43.9	107.5	4.0	5.3	12.3
				120	56.2	5.55	37.2	134.9	3.0	1.1	2.4	56.2	5.44	37.6	129.7	3.0	2.8	6.4	56.2	5.33	38.0	127.2	3.1	5.1	11.7
				130	Operation not recommended						55.2	6.16	34.2	139.8	2.6	2.7	6.2	55.1	6.03	34.5	137.2	2.7	5.0	11.5	
	11.25	3.4	7.9	60	64.7	2.73	55.4	77.4	6.9	1.4	3.2	65.1	2.68	56.0	71.3	7.1	3.3	7.7	65.5	2.62	56.5	68.5	7.3	6.0	13.8
				80	62.8	3.52	50.8	96.9	5.2	1.2	2.9	63.1	3.45	51.4	91.3	5.4	3.1	7.1	63.4	3.38	51.9	88.3	5.5	5.6	13.0
				100	60.8	4.48	45.5	116.2	4.0	1.1	2.6	61.0	4.39	46.0	110.9	4.1	2.9	6.7	61.1	4.30	46.5	108.0	4.2	5.3	12.3
				120	58.6	5.61	39.4	135.4	3.1	1.1	2.4	58.6	5.50	39.8	130.2	3.1	2.8	6.4	58.6	5.39	40.2	127.7	3.2	5.1	11.7
				130	Operation not recommended						57.9	6.22	36.7	139.9	2.7	2.7	6.2	57.8	6.09	37.1	137.3	2.8	5.0	11.5	
	15.0	6.2	14.2	60	66.5	2.76	57.1	78.0	7.1	1.4	3.2	66.9	2.70	57.7	71.9	7.3	3.3	7.7	67.3	2.65	58.3	69.0	7.4	6.0	13.8
				80	64.7	3.55	52.6	97.2	5.3	1.2	2.9	65.0	3.48	53.1	91.6	5.5	3.1	7.1	65.3	3.41	53.6	88.6	5.6	5.6	13.0
100				62.5	4.52	47.1	116.4	4.1	1.1	2.6	62.7	4.43	47.6	111.1	4.1	2.9	6.7	62.9	4.34	48.0	108.2	4.2	5.3	12.3	
120				60.0	5.67	40.6	135.6	3.1	1.1	2.4	60.0	5.55	41.0	130.5	3.2	2.8	6.4	60.0	5.44	41.4	127.9	3.2	5.1	11.7	
130				Operation not recommended						58.8	6.28	37.3	140.3	2.7	2.7	6.2	58.7	6.15	37.7	137.7	2.8	5.0	11.5		

Interpolation is permissible; extrapolation is not.
 All performance is based upon the lower voltage of dual voltage rated units.
 Performance stated is at the rated power supply; performance may vary as the power supply varies from the rated.
 Operation below 40°F EWT is based upon a 15% methanol antifreeze solution.
 Operation below 60°F EWT requires optional insulated water/refrigerant circuit.
 See performance correction tables for operating conditions other than those listed above.
 See Performance Data Selection Notes for operation in the shaded areas. Calculation to determine percentage of antifreeze required on source side.

Table Continued on Next Page

Performance Data - HWW060 (60Hz I-P) - Heating

Continued From Previous Page

SOURCE				LOAD																													
EWT °F	Flow			EWT °F	Flow 7.5 GPM						Flow 11.25 GPM						Flow 15.0 GPM																
	GPM	WPD			HC Mbtuh	Power kW	HE Mbtuh	LWT °F	COP	WPD		HC Mbtuh	Power kW	HE Mbtuh	LWT °F	COP	WPD		HC Mbtuh	Power kW	HE Mbtuh	LWT °F	COP	WPD									
		PSI	FT							PSI	FT						PSI	FT						PSI	FT								
60	7.5	1.2	2.7	60	64.9	2.76	55.5	78.5	6.9	1.4	3.2	65.2	2.70	56.0	71.7	7.1	3.3	7.7	65.6	2.65	56.6	68.6	7.3	6.0	13.8								
				80	64.8	3.54	52.7	98.1	5.4	1.2	2.9	65.1	3.47	53.3	91.8	5.5	3.1	7.1	65.4	3.40	53.8	88.6	5.6	5.6	13.0								
				100	63.7	4.49	48.3	117.6	4.2	1.1	2.6	63.9	4.40	48.8	111.5	4.3	2.9	6.7	64.1	4.31	49.4	108.4	4.4	5.3	12.3								
				120	61.4	5.60	42.3	136.7	3.2	1.1	2.4	61.5	5.48	42.8	130.9	3.3	2.8	6.4	61.6	5.37	43.2	128.0	3.4	5.1	11.7								
	Operation not recommended																			60.2	6.21	39.1	140.8	2.8	2.7	6.2	60.0	6.02	39.5	137.9	2.9	5.0	11.5
	11.25	3.2	7.3	60	67.7	2.78	58.2	79.0	7.1	1.4	3.2	68.1	2.73	58.8	72.2	7.3	3.3	7.7	68.5	2.67	59.4	69.1	7.5	6.0	13.8								
				80	67.7	3.58	55.5	98.7	5.5	1.2	2.9	68.0	3.51	56.0	92.3	5.7	3.1	7.1	68.3	3.44	56.6	89.1	5.8	5.6	13.0								
				100	66.4	4.54	50.9	118.1	4.3	1.1	2.6	66.6	4.45	51.5	112.0	4.4	2.9	6.7	66.9	4.36	52.0	108.9	4.5	5.3	12.3								
				120	64.0	5.67	44.6	137.2	3.3	1.1	2.4	64.1	5.56	45.1	131.3	3.4	2.8	6.4	64.2	5.45	45.6	128.5	3.5	5.1	11.7								
	Operation not recommended																			63.1	6.27	41.7	141.0	3.0	2.7	6.2	62.9	6.08	42.2	138.1	3.0	5.0	11.5
	15.0	5.8	13.5	60	70.0	2.81	60.4	79.4	7.3	1.4	3.2	70.4	2.76	61.0	72.6	7.5	3.3	7.7	70.8	2.70	61.6	69.5	7.7	6.0	13.8								
				80	70.0	3.62	57.7	99.0	5.7	1.2	2.9	70.4	3.54	58.3	92.6	5.8	3.1	7.1	70.7	3.47	58.9	89.4	6.0	5.6	13.0								
100				68.8	4.60	53.1	118.3	4.4	1.1	2.6	69.0	4.50	53.6	112.2	4.5	2.9	6.7	69.2	4.41	54.2	109.1	4.6	5.3	12.3									
120				66.2	5.75	46.6	137.4	3.4	1.1	2.4	66.3	5.63	47.1	131.6	3.4	2.8	6.4	66.4	5.52	47.5	128.7	3.5	5.1	11.7									
Operation not recommended																			64.6	6.14	43.6	138.4	3.1	5.0	11.5								
70	7.5	1.1	2.5	60	68.6	2.81	59.0	80.1	7.2	1.4	3.2	69.0	2.76	59.6	72.6	7.3	3.3	7.7	69.5	2.70	60.2	69.2	7.5	6.0	13.8								
				80	69.8	3.61	57.5	100.0	5.7	1.2	2.9	70.2	3.53	58.1	92.8	5.8	3.1	7.1	70.5	3.46	58.7	89.4	6.0	5.6	13.0								
				100	69.2	4.55	53.6	119.5	4.5	1.1	2.6	69.4	4.46	54.2	112.6	4.6	2.9	6.7	69.7	4.37	54.8	109.3	4.7	5.3	12.3								
				120	66.7	5.64	47.4	138.5	3.5	1.1	2.4	66.8	5.52	47.9	132.0	3.5	2.8	6.4	66.9	5.41	48.5	128.9	3.6	5.1	11.7								
	Operation not recommended																			65.0	6.01	44.5	138.6	3.2	5.0	11.5							
	11.25	3.0	6.9	60	70.7	2.84	61.0	80.7	7.3	1.4	3.2	71.2	2.78	61.7	73.2	7.5	3.3	7.7	71.6	2.73	62.3	69.7	7.7	6.0	13.8								
				80	72.5	3.64	60.1	100.5	5.8	1.2	2.9	72.9	3.57	60.7	93.3	6.0	3.1	7.1	73.2	3.50	61.3	89.9	6.1	5.6	13.0								
				100	72.1	4.61	56.3	119.9	4.6	1.1	2.6	72.3	4.52	56.9	113.1	4.7	2.9	6.7	72.6	4.43	57.5	109.7	4.8	5.3	12.3								
				120	69.4	5.73	49.9	139.0	3.5	1.1	2.4	69.6	5.62	50.4	132.4	3.6	2.8	6.4	69.7	5.51	50.9	129.3	3.7	5.1	11.7								
	Operation not recommended																			68.0	6.07	47.3	138.9	3.3	5.0	11.5							
	15.0	5.5	12.8	60	73.5	2.87	63.7	80.9	7.5	1.4	3.2	73.9	2.81	64.3	73.4	7.7	3.3	7.7	74.4	2.75	65.0	70.0	7.9	6.0	13.8								
				80	75.4	3.68	62.8	100.7	6.0	1.2	2.9	75.8	3.61	63.5	93.5	6.2	3.1	7.1	76.2	3.53	64.1	90.1	6.3	5.6	13.0								
100				75.1	4.67	59.1	120.2	4.7	1.1	2.6	75.3	4.57	59.7	113.3	4.8	2.9	6.7	75.6	4.48	60.3	109.9	4.9	5.3	12.3									
120				72.5	5.83	52.6	139.2	3.6	1.1	2.4	72.6	5.71	53.1	132.7	3.7	2.8	6.4	72.7	5.60	53.6	129.5	3.8	5.1	11.7									
Operation not recommended																			70.4	6.13	49.5	139.2	3.4	5.0	11.5								
80	7.5	1.0	2.3	60	72.4	2.87	62.6	81.7	7.4	1.4	3.2	72.8	2.81	63.2	73.5	7.6	3.3	7.7	73.3	2.75	63.9	69.8	7.8	6.0	13.8								
				80	74.8	3.67	62.3	101.8	6.0	1.2	2.9	75.2	3.60	62.9	93.9	6.1	3.1	7.1	75.6	3.52	63.6	90.2	6.3	5.6	13.0								
				100	74.7	4.61	58.9	121.4	4.8	1.1	2.6	75.0	4.51	59.6	113.8	4.9	2.9	6.7	75.3	4.42	60.2	110.2	5.0	5.3	12.3								
				120	71.9	5.68	52.5	140.4	3.7	1.1	2.4	72.1	5.56	53.1	133.2	3.8	2.8	6.4	72.3	5.45	53.7	129.8	3.9	5.1	11.7								
	Operation not recommended																			69.9	6.00	49.4	139.4	3.4	5.0	11.5							
	11.25	2.8	6.5	60	73.7	2.89	63.9	82.3	7.5	1.4	3.2	74.2	2.84	64.5	74.1	7.7	3.3	7.7	74.7	2.78	65.2	70.3	7.9	6.0	13.8								
				80	77.3	3.71	64.7	102.3	6.1	1.2	2.9	77.7	3.63	65.3	94.3	6.3	3.1	7.1	78.2	3.56	66.0	90.6	6.4	5.6	13.0								
				100	77.7	4.67	61.8	121.8	4.9	1.1	2.6	78.0	4.58	62.4	114.2	5.0	2.9	6.7	78.4	4.49	63.0	110.6	5.1	5.3	12.3								
				120	74.8	5.79	55.1	140.7	3.8	1.1	2.4	75.0	5.68	55.7	133.5	3.9	2.8	6.4	75.2	5.56	56.2	130.1	4.0	5.1	11.7								
	Operation not recommended																			73.1	6.06	52.4	139.7	3.5	5.0	11.5							
	15.0	5.3	12.1	60	76.9	2.92	67.0	82.4	7.7	1.4	3.2	77.4	2.87	67.6	74.2	7.9	3.3	7.7	77.9	2.81	68.3	70.4	8.1	6.0	13.8								
				80	80.7	3.74	68.0	102.5	6.3	1.2	2.9	81.2	3.67	68.7	94.5	6.5	3.1	7.1	81.6	3.60	69.3	90.8	6.7	5.6	13.0								
100				81.3	4.74	65.2	122.0	5.0	1.1	2.6	81.7	4.64	65.8	114.4	5.2	2.9	6.7	82.0	4.55	66.5	110.8	5.3	5.3	12.3									
120				78.7	5.91	58.5	141.0	3.9	1.1	2.4	78.9	5.79	59.1	133.8	4.0	2.8	6.4	79.1	5.68	59.7	130.4	4.1	5.1	11.7									
Operation not recommended																			76.3	6.12	55.4	139.9	3.6	5.0	11.5								

Interpolation is permissible; extrapolation is not.
 All performance is based upon the lower voltage of dual voltage rated units.
 Performance stated is at the rated power supply; performance may vary as the power supply varies from the rated.
 Operation below 40°F EWT is based upon a 15% methanol antifreeze solution.
 Operation below 60°F EWT requires optional insulated water/refrigerant circuit.
 See performance correction tables for operating conditions other than those listed above.
 See Performance Data Selection Notes for operation in the shaded areas. Calculation to determine percentage of antifreeze required on source side.

Performance Data - HWW120 (60Hz I-P) - Cooling

SOURCE				LOAD																					
EWT °F	Flow			EWT °F	Flow 15.0 GPM						Flow 22.5 GPM						Flow 30.0 GPM								
	GPM	WPD			TC Mbtuh	Power kW	HR Mbtuh	LWT °F	EER	WPD	TC Mbtuh	Power kW	HR Mbtuh	LWT °F	EER	WPD	TC Mbtuh	Power kW	HR Mbtuh	LWT °F	EER	WPD			
		PSI	FT																				PSI	FT	PSI
50	15.0	1.4	3.2	50	105.2	4.41	120.3	38.2	23.9	1.6	3.7	106.9	4.45	122.1	41.0	24.0	3.8	8.8	110.7	4.50	126.0	42.5	24.6	6.8	15.7
				60	106.4	4.45	121.6	47.1	23.9	1.5	3.5	108.1	4.49	123.4	50.5	24.1	3.7	8.4	111.9	4.54	127.4	52.4	24.7	6.6	15.2
				70	107.6	4.48	122.9	56.0	24.0	1.4	3.3	109.3	4.53	124.8	60.0	24.1	3.5	8.1	113.1	4.57	128.7	62.2	24.7	6.4	14.7
				80	111.0	4.49	126.3	64.7	24.7	1.4	3.2	112.8	4.53	128.3	69.4	24.9	3.4	7.9	116.7	4.58	132.4	72.0	25.5	6.2	14.3
	90	114.4	4.49	129.8	73.5	25.5	1.3	3.0	116.3	4.54	131.8	78.9	25.6	3.3	7.6	120.3	4.58	136.0	81.8	26.3	6.0	13.9			
	22.5	3.8	8.7	50	106.8	4.45	122.0	38.0	24.0	1.6	3.7	108.3	4.50	123.6	40.8	24.1	3.8	8.8	112.1	4.54	127.6	42.3	24.7	6.8	15.7
				60	110.9	4.49	126.2	46.7	24.7	1.5	3.5	112.5	4.54	128.0	50.1	24.8	3.7	8.4	116.4	4.58	132.0	52.0	25.4	6.6	15.2
				70	115.1	4.53	130.5	55.4	25.4	1.4	3.3	116.7	4.57	132.3	59.4	25.5	3.5	8.1	120.8	4.62	136.5	61.6	26.1	6.4	14.7
				80	116.1	4.53	131.6	64.3	25.6	1.4	3.2	117.7	4.58	133.4	69.0	25.7	3.4	7.9	121.9	4.62	137.6	71.5	26.4	6.2	14.3
	90	117.2	4.54	132.6	73.2	25.8	1.3	3.0	118.8	4.58	134.5	78.5	25.9	3.3	7.6	123.0	4.63	138.8	81.4	26.6	6.0	13.9			
	30.0	6.8	15.6	50	111.1	4.50	126.5	35.8	24.7	1.6	3.7	113.0	4.54	128.5	40.3	24.9	3.8	8.8	115.9	4.59	131.5	42.1	25.2	6.8	15.7
				60	114.9	4.54	130.4	45.0	25.3	1.5	3.5	117.5	4.58	133.1	49.8	25.6	3.7	8.4	123.0	4.63	138.8	51.5	26.6	6.6	15.2
70				118.8	4.57	134.4	54.1	26.0	1.4	3.3	122.0	4.62	137.8	59.3	26.4	3.5	8.1	130.2	4.67	146.1	60.9	27.9	6.4	14.7	
80				120.7	4.58	136.3	63.5	26.4	1.4	3.2	123.6	4.62	139.4	68.7	26.7	3.4	7.9	131.7	4.67	147.6	70.8	28.2	6.2	14.3	
90	122.5	4.58	138.2	72.8	26.7	1.3	3.0	125.2	4.63	141.0	78.1	27.0	3.3	7.6	133.2	4.68	149.1	80.7	28.5	6.0	13.9				
70	15.0	1.2	2.7	50	98.2	5.64	117.5	38.1	17.4	1.6	3.7	100.6	5.70	120.1	41.1	17.7	3.8	8.8	104.0	5.76	123.7	42.9	18.1	6.8	15.7
				60	106.3	5.68	125.7	46.4	18.7	1.5	3.5	109.0	5.74	128.6	50.0	19.0	3.7	8.4	112.6	5.79	132.4	52.3	19.4	6.6	15.2
				70	114.4	5.71	133.9	54.8	20.0	1.4	3.3	117.3	5.77	137.0	59.1	20.3	3.5	8.1	121.3	5.83	141.2	61.7	20.8	6.4	14.7
				80	118.7	5.83	138.6	63.4	20.3	1.4	3.2	121.7	5.89	141.8	68.3	20.6	3.4	7.9	125.7	5.95	146.1	71.4	21.1	6.2	14.3
	90	122.9	5.95	143.2	71.9	20.6	1.3	3.0	126.0	6.02	146.5	77.6	20.9	3.3	7.6	130.2	6.08	151.0	81.1	21.4	6.0	13.9			
	22.5	3.3	7.6	50	100.3	5.70	119.8	38.0	17.6	1.6	3.7	102.7	5.76	122.4	41.0	17.8	3.8	8.8	106.2	5.82	126.0	42.8	18.3	6.8	15.7
				60	109.1	5.74	128.7	46.2	19.0	1.5	3.5	111.7	5.79	131.5	49.8	19.3	3.7	8.4	115.5	5.85	135.4	52.1	19.7	6.6	15.2
				70	117.9	5.77	137.6	54.5	20.4	1.4	3.3	120.7	5.83	140.6	58.8	20.7	3.5	8.1	124.8	5.89	144.9	61.4	21.2	6.4	14.7
				80	121.6	5.89	141.7	63.1	20.6	1.4	3.2	124.5	5.95	144.9	68.1	20.9	3.4	7.9	128.7	6.01	149.2	71.1	21.4	6.2	14.3
	90	125.2	6.02	145.8	71.7	20.8	1.3	3.0	128.3	6.08	149.1	77.3	21.1	3.3	7.6	132.6	6.14	153.6	80.8	21.6	6.0	13.9			
	30.0	6.1	14.1	50	102.4	5.76	122.0	36.9	17.8	1.6	3.7	106.6	5.82	126.4	40.8	18.3	3.8	8.8	108.5	5.88	128.6	42.6	18.5	6.8	15.7
				60	111.3	5.79	131.1	45.4	19.2	1.5	3.5	115.2	5.85	135.2	49.6	19.7	3.7	8.4	118.8	5.91	138.9	51.8	20.1	6.6	15.2
70				120.2	5.83	140.1	53.9	20.6	1.4	3.3	123.9	5.89	144.0	58.5	21.0	3.5	8.1	129.0	5.95	149.3	61.1	21.7	6.4	14.7	
80				124.7	5.95	145.0	62.7	20.9	1.4	3.2	128.3	6.01	148.8	67.8	21.3	3.4	7.9	134.3	6.07	155.0	70.6	22.1	6.2	14.3	
90	129.1	6.08	149.9	71.5	21.3	1.3	3.0	132.6	6.14	153.6	77.1	21.6	3.3	7.6	139.5	6.20	160.7	80.2	22.5	6.0	13.9				
80	15.0	1.1	2.5	50	94.7	6.26	116.1	38.0	15.1	1.6	3.7	97.5	6.33	119.1	41.1	15.4	3.8	8.8	100.7	6.39	122.5	43.1	15.8	6.8	15.7
				60	106.3	6.30	127.8	46.1	16.9	1.5	3.5	109.4	6.36	131.1	49.8	17.2	3.7	8.4	113.0	6.42	134.9	52.3	17.6	6.6	15.2
				70	117.9	6.33	139.5	54.2	18.6	1.4	3.3	121.4	6.39	143.2	58.6	19.0	3.5	8.1	125.3	6.46	147.4	61.5	19.4	6.4	14.7
				80	122.5	6.51	144.7	62.7	18.8	1.4	3.2	126.1	6.57	148.6	67.8	19.2	3.4	7.9	130.3	6.64	152.9	71.1	19.6	6.2	14.3
	90	127.1	6.69	149.9	71.1	19.0	1.3	3.0	130.9	6.75	153.9	76.9	19.4	3.3	7.6	135.2	6.82	158.4	80.7	19.8	6.0	13.9			
	22.5	3.1	7.1	50	97.1	6.33	118.7	38.0	15.3	1.6	3.7	99.9	6.39	121.7	41.1	15.6	3.8	8.8	103.2	6.45	125.2	43.0	16.0	6.8	15.7
				60	108.2	6.36	129.9	46.0	17.0	1.5	3.5	111.4	6.42	133.3	49.7	17.3	3.7	8.4	115.0	6.49	137.1	52.2	17.7	6.6	15.2
				70	119.3	6.39	141.1	54.0	18.7	1.4	3.3	122.8	6.46	144.8	58.4	19.0	3.5	8.1	126.8	6.52	149.1	61.3	19.4	6.4	14.7
				80	124.3	6.57	146.7	62.5	18.9	1.4	3.2	127.9	6.64	150.6	67.6	19.3	3.4	7.9	132.1	6.71	155.0	70.9	19.7	6.2	14.3
	90	129.3	6.75	152.3	71.0	19.1	1.3	3.0	133.1	6.82	156.4	76.8	19.5	3.3	7.6	137.5	6.89	161.0	80.6	19.9	6.0	13.9			
	30.0	5.8	13.4	50	98.0	6.39	119.8	37.4	15.3	1.6	3.7	103.4	6.45	125.4	41.0	16.0	3.8	8.8	104.8	6.52	127.1	42.9	16.1	6.8	15.7
				60	109.5	6.42	131.4	45.6	17.0	1.5	3.5	114.1	6.49	136.3	49.5	17.6	3.7	8.4	116.6	6.55	139.0	52.0	17.8	6.6	15.2
70				120.9	6.46	143.0	53.8	18.7	1.4	3.3	124.8	6.52	147.1	58.1	19.1	3.5	8.1	128.4	6.59	150.9	61.1	19.5	6.4	14.7	
80				126.7	6.64	149.3	62.3	19.1	1.4	3.2	130.6	6.71	153.5	67.4	19.5	3.4	7.9	135.6	6.78	158.7	70.5	20.0	6.2	14.3	
90	132.4	6.82	155.7	70.8	19.4	1.3	3.0	136.3	6.89	159.8	76.7	19.8	3.3	7.6	142.7	6.96	166.5	80.0	20.5	6.0	13.9				
90	15.0	1.0	2.3	50	89.7	7.15	114.1	38.7	12.5	1.6	3.7	92.5	7.22	117.2	41.6	12.8	3.8	8.8	95.0	7.29	119.8	43.4	13.0	6.8	15.7
				60	101.4	7.22	126.0	46.8	14.0	1.5	3.5	104.6	7.30	129.5	50.3	14.3	3.7	8.4	107.4	7.37	132.5	52.6	14.6	6.6	15.2
				70	113.1	7.30	138.0	54.9	15.5	1.4	3.3	116.7	7.37	141.9	59.1	15.8	3.5	8.1	119.8	7.45	145.2	61.8	16.1	6.4	14.7
				80	116.4	7.47	144.8	63.4	16.0	1.4	3.2	123.1	7.54	148.8	68.2	16.3	3.4	7.9	126.3	7.62	152.3	71.3	16.6	6.2	14.3
	90	125.4	7.64	151.5	71.9	16.4	1.3	3.0	129.4	7.72	155.8	77.3	16.8	3.3	7.6	132.8	7.80	159.4	80.9	17.0	6.0	13.9			
	22.5	2.9	6.7	50																					

Performance Data - HWW120 (60Hz I-P) - Cooling

Continued From Previous Page

SOURCE				LOAD																					
EWT °F	Flow			EWT °F	Flow 15.0 GPM						Flow 22.5 GPM						Flow 30.0 GPM								
	GPM	WPD			TC Mbtuh	Power kW	HR Mbtuh	LWT °F	EER	WPD		TC Mbtuh	Power kW	HR Mbtuh	LWT °F	EER	WPD		TC Mbtuh	Power kW	HR Mbtuh	LWT °F	EER	WPD	
		PSI	FT							PSI	FT						PSI	FT						PSI	FT
110	15.0	0.8	2.0	50	79.6	8.92	110.0	39.9	8.9	1.6	3.7	82.6	9.01	113.3	42.5	9.2	3.8	8.8	83.5	9.10	114.5	44.1	9.2	6.8	15.7
				60	91.6	9.08	122.6	48.2	10.1	1.5	3.5	95.0	9.17	126.3	51.2	10.4	3.7	8.4	96.1	9.26	127.6	53.2	10.4	6.6	15.2
				70	103.6	9.23	135.1	56.4	11.2	1.4	3.3	107.4	9.32	139.3	60.0	11.5	3.5	8.1	108.6	9.42	140.8	62.4	11.5	6.4	14.7
				80	112.8	9.39	144.8	64.9	12.0	1.4	3.2	117.0	9.48	149.4	69.0	12.3	3.4	7.9	118.3	9.58	151.0	71.7	12.3	6.2	14.3
				90	122.0	9.55	154.6	73.4	12.8	1.3	3.0	126.6	9.64	159.5	78.0	13.1	3.3	7.6	128.0	9.74	161.2	81.1	13.1	6.0	13.9
	22.5	2.7	6.2	50	81.3	9.01	112.0	39.9	9.0	1.6	3.7	84.3	9.10	115.4	42.4	9.3	3.8	8.8	85.2	9.19	116.6	44.1	9.3	6.8	15.7
				60	94.5	9.17	125.8	48.1	10.3	1.5	3.5	98.0	9.26	129.6	51.2	10.6	3.7	8.4	99.1	9.35	131.0	53.2	10.6	6.6	15.2
				70	107.8	9.32	139.6	56.3	11.6	1.4	3.3	111.8	9.42	143.9	59.9	11.9	3.5	8.1	113.0	9.51	145.5	62.2	11.9	6.4	14.7
				80	115.7	9.48	148.1	64.7	12.2	1.4	3.2	120.0	9.58	152.7	68.8	12.5	3.4	7.9	121.3	9.68	154.4	71.5	12.5	6.2	14.3
				90	123.7	9.64	156.6	73.1	12.8	1.3	3.0	128.3	9.74	161.5	77.7	13.2	3.3	7.6	129.7	9.84	163.3	80.8	13.2	6.0	13.9
	30.0	5.1	11.7	50	83.1	9.10	114.1	39.4	9.1	1.6	3.7	84.7	9.19	116.1	42.4	9.2	3.8	8.8	87.6	9.28	119.3	44.0	9.4	6.8	15.7
				60	95.2	9.26	126.8	47.4	10.3	1.5	3.5	97.0	9.35	128.9	51.1	10.4	3.7	8.4	101.4	9.45	133.7	53.1	10.7	6.6	15.2
				70	107.4	9.42	139.5	55.3	11.4	1.4	3.3	109.3	9.51	141.8	59.9	11.5	3.5	8.1	115.2	9.61	148.0	62.2	12.0	6.4	14.7
				80	116.5	9.58	149.2	64.2	12.2	1.4	3.2	119.5	9.68	152.5	68.7	12.3	3.4	7.9	123.4	9.77	156.8	71.4	12.6	6.2	14.3
				90	125.6	9.74	158.9	73.0	12.9	1.3	3.0	129.6	9.84	163.1	77.6	13.2	3.3	7.6	131.7	9.94	165.6	80.7	13.2	6.0	13.9
120	15.0	0.8	1.8	50	74.0	10.08	108.4	40.3	7.3	1.6	3.7	77.0	10.18	111.8	43.2	7.6	3.8	8.8	78.6	10.28	113.7	44.7	7.6	6.8	15.7
				60	85.4	10.25	120.4	48.6	8.3	1.5	3.5	88.9	10.36	124.2	52.0	8.6	3.7	8.4	90.7	10.46	126.4	53.8	8.7	6.6	15.2
				70	96.8	10.42	132.4	56.9	9.3	1.4	3.3	100.8	10.53	136.7	60.8	9.6	3.5	8.1	102.8	10.64	139.1	62.9	9.7	6.4	14.7
				80	105.9	10.62	142.1	65.2	10.0	1.4	3.2	110.2	10.72	146.8	69.7	10.3	3.4	7.9	112.5	10.83	149.4	72.1	10.4	6.2	14.3
				90	115.1	10.81	151.9	73.5	10.6	1.3	3.0	119.7	10.92	157.0	78.6	11.0	3.3	7.6	122.2	11.03	159.8	81.3	11.1	6.0	13.9
	22.5	2.6	6.0	50	74.5	10.18	109.2	40.3	7.3	1.6	3.7	77.5	10.28	112.6	43.1	7.5	3.8	8.8	79.1	10.39	114.6	44.6	7.6	6.8	15.7
				60	86.3	10.36	121.6	48.5	8.3	1.5	3.5	89.8	10.46	125.5	51.9	8.6	3.7	8.4	91.6	10.57	127.7	53.7	8.7	6.6	15.2
				70	98.1	10.53	134.0	56.7	9.3	1.4	3.3	102.1	10.64	138.4	60.6	9.6	3.5	8.1	104.2	10.74	140.8	62.7	9.7	6.4	14.7
				80	107.3	10.72	143.9	65.0	10.0	1.4	3.2	111.7	10.83	148.6	69.6	10.3	3.4	7.9	113.9	10.94	151.3	72.0	10.4	6.2	14.3
				90	116.5	10.92	153.7	73.4	10.7	1.3	3.0	121.2	11.03	158.9	78.5	11.0	3.3	7.6	123.7	11.14	161.7	81.3	11.1	6.0	13.9
	30.0	4.9	11.3	50	76.9	10.28	112.0	40.0	7.5	1.6	3.7	80.2	10.39	115.7	42.9	7.7	3.8	8.8	81.7	10.49	117.5	44.5	7.8	6.8	15.7
				60	88.8	10.46	124.4	48.2	8.5	1.5	3.5	92.8	10.57	128.9	51.7	8.8	3.7	8.4	94.6	10.67	131.0	53.6	8.9	6.6	15.2
				70	100.6	10.64	136.9	56.5	9.5	1.4	3.3	105.5	10.74	142.1	60.5	9.8	3.5	8.1	107.6	10.85	144.6	62.6	9.9	6.4	14.7
				80	109.9	10.83	146.8	64.9	10.1	1.4	3.2	115.1	10.94	152.4	69.5	10.5	3.4	7.9	117.2	11.05	154.9	71.9	10.6	6.2	14.3
				90	119.2	11.03	156.8	73.3	10.8	1.3	3.0	124.7	11.14	162.7	78.5	11.2	3.3	7.6	126.9	11.25	165.3	81.2	11.3	6.0	13.9

Interpolation is permissible; extrapolation is not.
 All performance is based upon the lower voltage of dual voltage rated units.
 Performance stated is at the rated power supply; performance may vary as the power supply varies from the rated.
 Operation below 40°F EWT is based upon a 15% methanol antifreeze solution.
 Operation below 60°F EWT requires optional insulated water/refrigerant circuit.
 See performance correction tables for operating conditions other than those listed above.
 See Performance Data Selection Notes for operation in the shaded areas. Calculation to determine percentage of antifreeze required on load side.

Performance Data - HWW120 (60Hz I-P) - Heating

SOURCE				LOAD																						
EWT °F	Flow			EWT °F	Flow 15.0 GPM							Flow 22.5 GPM							Flow 30.0 GPM							
	GPM	WPD			HC Mbtuh	Power kW	HE Mbtuh	LWT °F	COP	WPD	HC Mbtuh	Power kW	HE Mbtuh	LWT °F	COP	WPD	HC Mbtuh	Power kW	HE Mbtuh	LWT °F	COP	WPD				
		PSI	FT						PSI	FT					PSI	FT					PSI	FT				
20	30.0	8.0	18.6	60	82.2	4.86	65.6	71.5	5.0	1.5	3.5	82.6	4.76	66.3	67.4	5.1	3.3	7.7	82.9	4.67	67.0	65.3	5.2	6.0	13.8	
				80	80.9	6.34	59.3	91.2	3.7	1.4	3.2	81.1	6.22	59.9	87.2	3.8	3.1	7.1	81.3	6.09	60.5	85.3	3.9	5.6	13.0	
				100	79.3	8.23	51.3	110.8	2.8	1.3	2.9	79.3	8.06	51.8	106.9	2.9	2.9	6.7	79.3	7.90	52.4	105.1	2.9	5.3	12.3	
30	15.0	1.7	3.9	60	95.6	5.04	78.4	73.3	5.6	1.5	3.5	96.0	4.94	79.2	68.6	5.7	3.3	7.7	96.5	4.84	80.0	66.3	5.8	6.0	13.8	
				80	93.8	6.55	71.5	92.9	4.2	1.4	3.2	94.1	6.42	72.2	88.4	4.3	3.1	7.1	94.4	6.29	73.0	86.1	4.4	5.6	13.0	
				100	91.7	8.44	62.9	112.4	3.2	1.3	2.9	91.8	8.27	63.5	108.1	3.3	2.9	6.7	91.9	8.11	64.2	105.9	3.3	5.3	12.3	
				120	89.1	10.71	52.6	131.9	2.4	1.2	2.7	89.0	10.50	53.2	127.7	2.5	2.8	6.4	88.8	10.29	53.7	125.7	2.5	5.1	11.7	
	22.5	4.4	10.1		60	100.0	5.13	82.5	73.6	5.7	1.5	3.5	100.5	5.02	83.4	68.9	5.9	3.3	7.7	101.0	4.92	84.2	66.6	6.0	6.0	13.8
					80	97.9	6.66	75.2	93.3	4.3	1.4	3.2	98.3	6.53	76.0	88.7	4.4	3.1	7.1	98.6	6.40	76.8	86.5	4.5	5.6	13.0
					100	95.7	8.58	66.4	112.8	3.3	1.3	2.9	95.8	8.41	67.1	108.4	3.3	2.9	6.7	95.9	8.24	67.8	106.2	3.4	5.3	12.3
					120	93.2	10.89	56.0	132.1	2.5	1.2	2.7	93.0	10.67	56.6	128.0	2.6	2.8	6.4	92.9	10.46	57.2	125.9	2.6	5.1	11.7
	30.0	7.6	17.5		60	103.9	5.21	86.1	73.9	5.8	1.5	3.5	104.4	5.11	87.0	69.1	6.0	3.3	7.7	105.0	5.01	87.9	66.8	6.1	6.0	13.8
					80	101.8	6.77	78.7	93.4	4.4	1.4	3.2	102.1	6.64	79.5	88.9	4.5	3.1	7.1	102.5	6.50	80.3	86.6	4.6	5.6	13.0
					100	99.2	8.73	69.4	112.9	3.3	1.3	2.9	99.3	8.55	70.1	108.6	3.4	2.9	6.7	99.4	8.38	70.8	106.4	3.5	5.3	12.3
					120	96.1	11.08	58.3	132.3	2.5	1.2	2.7	95.9	10.85	58.9	128.2	2.6	2.8	6.4	95.8	10.64	59.5	126.1	2.6	5.1	11.7
40	15.0	1.5	3.5	60	108.9	5.22	91.1	75.0	6.1	1.5	3.5	109.5	5.12	92.0	69.7	6.3	3.3	7.7	110.1	5.02	93.0	67.2	6.4	6.0	13.8	
				80	106.7	6.76	83.6	94.6	4.6	1.4	3.2	107.1	6.62	84.5	89.6	4.7	3.1	7.1	107.6	6.49	85.4	87.0	4.9	5.6	13.0	
				100	104.0	8.65	74.5	114.0	3.5	1.3	2.9	104.2	8.48	75.3	109.2	3.6	2.9	6.7	104.4	8.31	76.1	106.7	3.7	5.3	12.3	
				120	100.7	10.91	63.5	133.4	2.7	1.2	2.7	100.7	10.69	64.2	128.7	2.8	2.8	6.4	100.6	10.48	64.9	126.4	2.8	5.1	11.7	
	22.5	4.1	9.3		60	114.7	5.29	96.7	75.5	6.4	1.5	3.5	115.4	5.19	97.7	70.1	6.5	3.3	7.7	116.0	5.08	98.7	67.5	6.7	6.0	13.8
					80	111.8	6.85	88.5	95.1	4.8	1.4	3.2	112.3	6.71	89.4	90.0	4.9	3.1	7.1	112.7	6.58	90.3	87.4	5.0	5.6	13.0
					100	108.6	8.77	78.7	114.5	3.6	1.3	2.9	108.8	8.59	79.5	109.7	3.7	2.9	6.7	109.1	8.42	80.3	107.1	3.8	5.3	12.3
					120	105.2	11.06	67.4	133.8	2.8	1.2	2.7	105.1	10.84	68.1	129.1	2.8	2.8	6.4	105.1	10.62	68.8	126.8	2.9	5.1	11.7
	30.0	7.2	16.6		60	118.5	5.36	100.2	75.9	6.5	1.5	3.5	119.1	5.26	101.2	70.5	6.6	3.3	7.7	119.8	5.15	102.2	67.9	6.8	6.0	13.8
					80	115.6	6.94	91.9	95.3	4.9	1.4	3.2	116.1	6.80	92.8	90.3	5.0	3.1	7.1	116.5	6.67	93.8	87.6	5.1	5.6	13.0
					100	112.1	8.89	81.8	114.7	3.7	1.3	2.9	112.3	8.71	82.6	109.9	3.8	2.9	6.7	112.6	8.54	83.5	107.3	3.9	5.3	12.3
					120	108.0	11.21	69.8	134.0	2.8	1.2	2.7	108.0	10.98	70.5	129.3	2.9	2.8	6.4	107.9	10.76	71.2	127.0	2.9	5.1	11.7
50	15.0	1.4	3.2	60	122.2	5.40	103.8	76.8	6.6	1.5	3.5	122.9	5.30	104.9	70.8	6.8	3.3	7.7	123.7	5.19	106.0	68.1	7.0	6.0	13.8	
				80	119.6	6.97	95.8	96.3	5.0	1.4	3.2	120.1	6.83	96.8	90.8	5.2	3.1	7.1	120.7	6.69	97.9	87.8	5.3	5.6	13.0	
				100	116.3	8.87	86.1	115.6	3.8	1.3	2.9	116.6	8.69	87.0	110.4	3.9	2.9	6.7	117.0	8.52	87.9	107.5	4.0	5.3	12.3	
				120	112.3	11.11	74.4	134.9	3.0	1.2	2.7	112.4	10.89	75.2	129.7	3.0	2.8	6.4	112.5	10.67	76.1	127.2	3.1	5.1	11.7	
	22.5	3.8	8.7		60	129.4	5.46	110.8	77.4	6.9	1.5	3.5	130.2	5.35	111.9	71.3	7.1	3.3	7.7	131.0	5.24	113.1	68.5	7.3	6.0	13.8
					80	125.7	7.04	101.7	96.9	5.2	1.4	3.2	126.3	6.90	102.7	91.3	5.4	3.1	7.1	126.8	6.76	103.8	88.3	5.5	5.6	13.0
					100	121.6	8.96	91.0	116.2	4.0	1.3	2.9	121.9	8.78	92.0	110.9	4.1	2.9	6.7	122.3	8.60	92.9	108.0	4.2	5.3	12.3
					120	117.2	11.22	78.9	135.4	3.1	1.2	2.7	117.2	11.00	79.7	130.2	3.1	2.8	6.4	117.3	10.78	80.5	127.7	3.2	5.1	11.7
	30.0	6.8	15.6		60	133.0	5.51	114.2	78.0	7.1	1.5	3.5	133.8	5.40	115.3	71.9	7.3	3.3	7.7	134.6	5.30	116.5	69.0	7.4	6.0	13.8
					80	129.4	7.11	105.1	97.2	5.3	1.4	3.2	130.0	6.97	106.2	91.6	5.5	3.1	7.1	130.6	6.83	107.3	88.6	5.6	5.6	13.0
					100	125.0	9.05	94.2	116.4	4.1	1.3	2.9	125.4	8.87	95.1	111.1	4.1	2.9	6.7	125.7	8.69	96.1	108.2	4.2	5.3	12.3
					120	119.9	11.34	81.2	135.6	3.1	1.2	2.7	120.0	11.11	82.1	130.5	3.2	2.8	6.4	120.0	10.89	82.9	127.9	3.2	5.1	11.7
60	15.0	1.3	3.0	60	129.7	5.51	110.9	78.5	6.9	1.5	3.5	130.5	5.40	112.1	71.7	7.1	3.3	7.7	131.3	5.30	113.2	68.6	7.3	6.0	13.8	
				80	129.6	7.09	105.4	98.1	5.4	1.4	3.2	130.2	6.95	106.5	91.8	5.5	3.1	7.1	130.9	6.81	107.6	88.6	5.6	5.6	13.0	
				100	127.3	8.98	96.7	117.6	4.2	1.3	2.9	127.7	8.80	97.7	111.5	4.3	2.9	6.7	128.2	8.63	98.7	108.4	4.4	5.3	12.3	
				120	122.8	11.19	84.7	136.7	3.2	1.2	2.7	123.0	10.97	85.6	130.9	3.3	2.8	6.4	123.2	10.75	86.5	128.0	3.4	5.1	11.7	
	22.5	3.5	8.1		60	135.5	5.57	116.4	79.0	7.1	1.5	3.5	136.3	5.46	117.6	72.2	7.3	3.3	7.7	137.1	5.35	118.8	69.1	7.5	6.0	13.8
					80	135.3	7.16	110.9	98.7	5.5	1.4	3.2	136.0	7.02	112.1	92.3	5.7	3.1	7.1	136.7	6.88	113.2	89.1	5.8	5.6	13.0
					100	132.9	9.09	101.9	118.1	4.3	1.3	2.9	133.3	8.90	102.9	112.0	4.4	2.9	6.7	133.7	8.73	104.0	108.9	4.5	5.3	12.3
					120	128.0	11.34	89.3	137.2	3.3	1.2	2.7	128.2	11.12	90.2	131.3	3.4	2.8	6.4	128.3	10.89	91.2	128.5	3.5	5.1	11.7
	30.0	6.4	14.8		60	140.0	5.63	120.8	79.4	7.3	1.5	3.5	140.8	5.51	122.0	72.6	7.5	3.3	7.7	141.7	5.40	123.2	69.5	7.7	6.0	13.8
					80	140.1	7.23	115.4	99.0	5.7	1.4	3.2	140.8	7.09	116.6	92.6	5.8	3.1	7.1	141.5	6.95	117.7	89.4	6.0	5.6	13.0
					100	137.6	9.19	106.2	118.3	4.4	1.3	2.9	138.0	9.01	107.3	112.2	4.5	2.9	6.7	138.5	8.83	108.4	109.1	4.6	5.3	

Performance Data - HWW120 (60Hz I-P) - Heating

Continued From Previous Page

SOURCE				LOAD																					
EWT °F	Flow			EWT °F	Flow 15.0 GPM						Flow 22.5 GPM						Flow 30.0 GPM								
	GPM	WPD			HC Mbtuh	Power kW	HE Mbtuh	LWT °F	COP	WPD		HC Mbtuh	Power kW	HE Mbtuh	LWT °F	COP	WPD		HC Mbtuh	Power kW	HE Mbtuh	LWT °F	COP	WPD	
		PSI	FT							PSI	FT						PSI	FT						PSI	FT
70	15.0	1.2	2.7	60	137.2	5.62	118.0	80.1	7.2	1.5	3.5	138.1	5.51	119.3	72.6	7.3	3.3	7.7	138.9	5.40	120.5	69.2	7.5	6.0	13.8
				80	139.6	7.21	115.0	100.0	5.7	1.4	3.2	140.3	7.07	116.2	92.8	5.8	3.1	7.1	141.1	6.93	117.4	89.4	6.0	5.6	13.0
				100	138.3	9.01	107.3	119.5	4.5	1.3	2.9	138.8	8.92	108.4	112.6	4.6	2.9	6.7	139.4	8.74	109.6	109.3	4.7	5.3	12.3
				120	133.3	11.27	94.9	138.5	3.5	1.2	2.7	133.6	11.05	95.9	132.0	3.5	2.8	6.4	133.9	10.83	96.9	128.9	3.6	5.1	11.7
				130																		130.0	12.02	88.9	138.6
	22.5	3.3	7.6	60	141.5	5.68	122.1	80.7	7.3	1.5	3.5	142.3	5.57	123.3	73.2	7.5	3.3	7.7	143.2	5.46	124.6	69.7	7.7	6.0	13.8
				80	145.0	7.29	120.1	100.5	5.8	1.4	3.2	145.7	7.14	121.4	93.3	6.0	3.1	7.1	146.5	7.00	122.6	89.9	6.1	5.6	13.0
				100	144.1	9.22	112.7	119.9	4.6	1.3	2.9	144.7	9.03	113.9	113.1	4.7	2.9	6.7	145.2	8.85	115.0	109.7	4.8	5.3	12.3
				120	138.9	11.46	99.7	139.0	3.5	1.2	2.7	139.1	11.24	100.8	132.4	3.6	2.8	6.4	139.4	11.01	101.8	129.3	3.7	5.1	11.7
				130																		136.1	12.15	94.6	138.9
	30.0	6.1	14.1	60	146.9	5.74	127.3	80.9	7.5	1.5	3.5	147.8	5.62	128.6	73.4	7.7	3.3	7.7	148.7	5.50	129.9	70.0	7.9	6.0	13.8
				80	150.8	7.36	125.7	100.7	6.0	1.4	3.2	151.6	7.21	126.9	93.5	6.2	3.1	7.1	152.3	7.07	128.2	90.1	6.3	5.6	13.0
100				150.1	9.33	118.3	120.2	4.7	1.3	2.9	150.7	9.15	119.5	113.3	4.8	2.9	6.7	151.3	8.97	120.7	109.9	4.9	5.3	12.3	
120				144.9	11.66	105.1	139.2	3.6	1.2	2.7	145.2	11.43	106.2	132.7	3.7	2.8	6.4	145.5	11.20	107.3	129.5	3.8	5.1	11.7	
130																					140.8	12.27	98.9	139.2	3.4
80	15.0	1.1	2.5	60	144.7	5.73	125.2	81.7	7.4	1.5	3.5	145.6	5.62	126.5	73.5	7.6	3.3	7.7	146.5	5.51	127.8	69.8	7.8	6.0	13.8
				80	149.6	7.34	124.6	101.8	6.0	1.4	3.2	150.4	7.19	125.9	93.9	6.1	3.1	7.1	151.2	7.05	127.2	90.2	6.3	5.6	13.0
				100	149.3	9.21	117.9	121.4	4.8	1.3	2.9	149.9	9.03	119.1	113.8	4.9	2.9	6.7	150.6	8.85	120.4	110.2	5.0	5.3	12.3
				120	143.8	11.35	105.1	140.4	3.7	1.2	2.7	144.2	11.13	106.2	133.2	3.8	2.8	6.4	144.5	10.91	107.3	129.8	3.9	5.1	11.7
				130																		139.8	12.00	98.9	139.4
	22.5	3.1	7.1	60	147.5	5.79	127.7	82.3	7.5	1.5	3.5	148.4	5.67	129.0	74.1	7.7	3.3	7.7	149.3	5.56	130.3	70.3	7.9	6.0	13.8
				80	154.7	7.41	129.4	102.3	6.1	1.4	3.2	155.5	7.26	130.7	94.3	6.3	3.1	7.1	156.3	7.12	132.0	90.6	6.4	5.6	13.0
				100	155.4	9.34	123.5	121.8	4.9	1.3	2.9	156.0	9.16	124.8	114.2	5.0	2.9	6.7	156.7	8.97	126.1	110.6	5.1	5.3	12.3
				120	149.7	11.59	110.2	140.7	3.8	1.2	2.7	150.1	11.35	111.3	133.5	3.9	2.8	6.4	150.4	11.13	112.5	130.1	4.0	5.1	11.7
				130																		146.2	12.13	104.9	139.7
	30.0	5.8	13.4	60	153.9	8.85	133.9	82.4	7.7	1.5	3.5	154.8	8.73	135.3	74.2	7.9	3.3	7.7	155.8	8.62	136.6	70.4	8.1	6.0	13.8
				80	161.5	7.49	135.9	102.5	6.3	1.4	3.2	162.3	7.34	137.3	94.5	6.5	3.1	7.1	163.2	7.19	138.7	90.8	6.7	5.6	13.0
100				162.7	9.48	130.3	122.0	5.0	1.3	2.9	163.3	9.29	131.6	114.4	5.2	2.9	6.7	164.0	9.10	133.0	110.8	5.3	5.3	12.3	
120				157.4	11.82	117.1	141.0	3.9	1.2	2.7	157.8	11.59	118.3	133.8	4.0	2.8	6.4	158.2	11.36	119.4	130.4	4.1	5.1	11.7	
130																					152.5	12.25	110.7	139.9	3.6

Interpolation is permissible; extrapolation is not.

All performance is based upon the lower voltage of dual voltage rated units.

Performance stated is at the rated power supply; performance may vary as the power supply varies from the rated.

Operation below 40°F EWT is based upon a 15% methanol antifreeze solution.

Operation below 60°F EWT requires optional insulated water/refrigerant circuit.

See performance correction tables for operating conditions other than those listed above.

See Performance Data Selection Notes for operation in the shaded areas. Calculation to determine percentage of antifreeze required on source side.

Antifreeze Correction Table

Antifreeze Type	Antifreeze %	Cooling			Heating		WPD Corr. Fct. EWT 30°F
		EWT 90°F			EWT 30°F		
		Total Cap	Sens Cap	Power	Htg Cap	Power	
Water	0	1.000	1.000	1.000	1.000	1.000	1.000
Propylene Glycol	5	0.995	0.995	1.003	0.989	0.997	1.070
	15	0.986	0.986	1.009	0.968	0.990	1.210
	25	0.978	0.978	1.014	0.947	0.983	1.360
Methanol	5	0.997	0.997	1.002	0.989	0.997	1.070
	15	0.990	0.990	1.007	0.968	0.990	1.160
	25	0.982	0.982	1.012	0.949	0.984	1.220
Ethanol	5	0.998	0.998	1.002	0.981	0.994	1.140
	15	0.994	0.994	1.005	0.944	0.983	1.300
	25	0.986	0.986	1.009	0.917	0.974	1.360
Ethylene Glycol	5	0.998	0.998	1.002	0.993	0.998	1.040
	15	0.994	0.994	1.004	0.980	0.994	1.120
	25	0.988	0.988	1.008	0.966	0.990	1.200

Physical & Electrical Data

Physical Data

Model	HWW036	HWW060	HWW120
Compressor (qty)	Scroll (1)		Scroll (2)
Factory Charge HFC-410A (lbs) [kg] Per Circuit	4.5 [2.04]	5.5 [2.49]	5.5 [2.49]
Commercial FPT (in) Load/Source	¾	1	1½
HWG Water In/Out FPT (in)	½		
Weight - Operating, (lbs) [kg]	348 [158]	360 [163]	726 [329]
Weight - Packaged, (lbs) [kg]	373 [169]	385 [175]	770 [349]
Water Volume (Source)			
Gallons (Liters)	0.96 (3.64)	1.33 (5.04)	2.65 (10.02)

Dual isolated compressor mounting
 Balanced port expansion valve (TXV)
 Compressor on (green) and fault (red) light

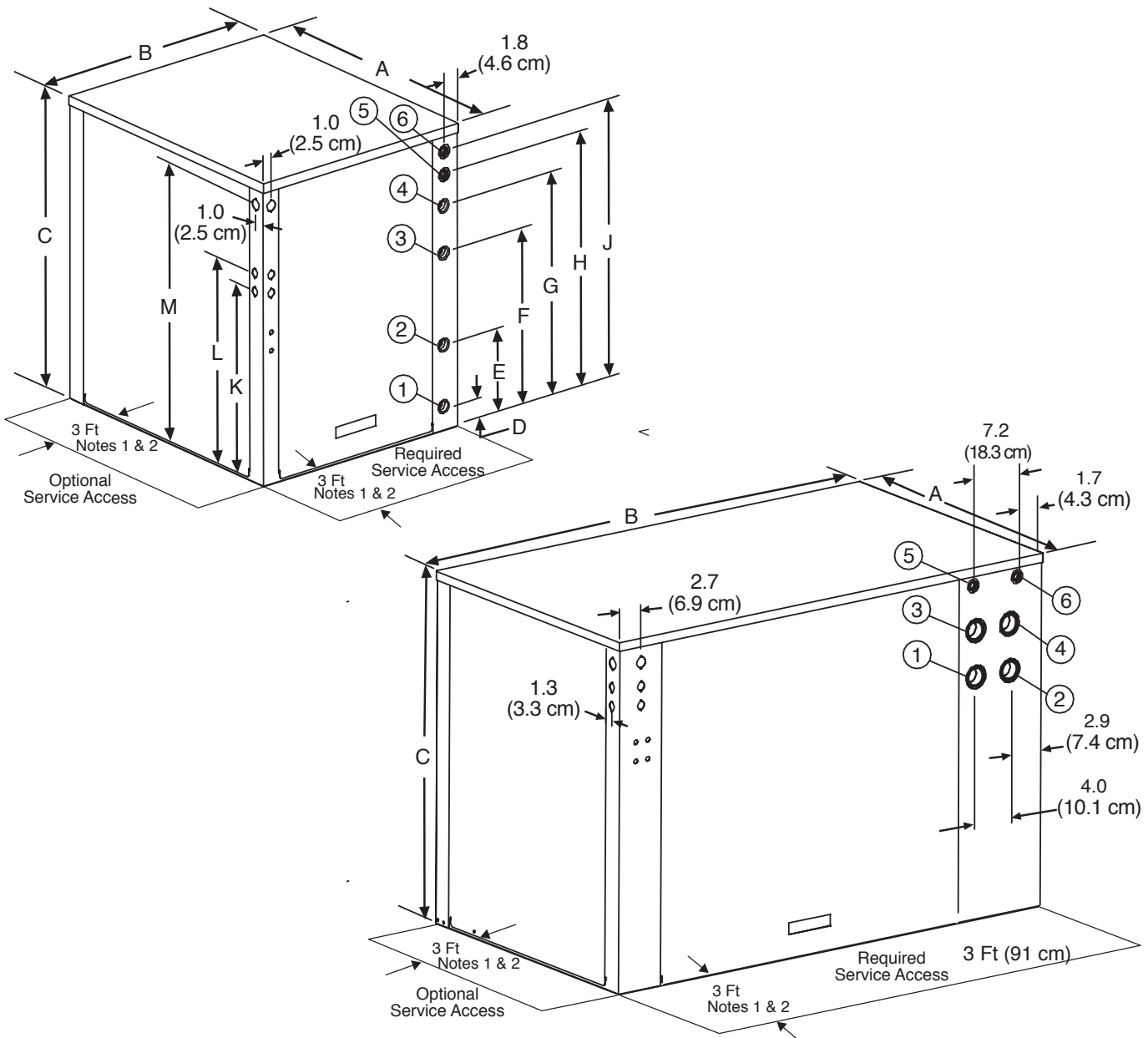
Unit Maximum Water Working Pressure	
Options	Max Working Pressure PSIG [kPa]
Base Unit	300 [2,068]
Motorized Valves	400 [2,758]

HWW Electrical Data

Model	Voltage Code	Voltage	Min/Max Voltage	Compressor			Total Unit FLA	Min Circuit Amps	Max Fuse/HACR
				QTY	RLA	LRA			
HWW036	1	208-230/60/1	187/254	1	16.7	79	16.7	20.8	35
	8	265/60/1	239/292	1	13.5	72	13.5	16.8	30
	3	208-230/60/3	187/254	1	10.4	73	10.4	13.1	20
	4	460/60/3	414/506	1	5.8	38	5.8	7.2	15
	5	575/60/3	518/633	1	3.8	36.5	3.8	4.7	15
HWW060 B	1	208-230/60/1	187/254	1	26.3	134	26.3	32.9	50
	3	208-230/60/3	187/254	1	15.6	110	15.6	19.5	35
	4	460/60/3	414/506	1	7.8	52	7.8	9.8	15
	5	575/60/3	518/633	1	5.8	38.9	5.8	7.3	15
HWW120 B	1	208-230/60/1	187/254	2	26.3	134	52.6	59.2	80
	3	208-230/60/3	187/254	2	15.6	110	31.2	35.1	50
	4	460/60/3	414/506	2	7.8	52	15.6	17.6	25
	5	575/60/3	518/633	2	5.8	38.9	11.6	13.1	15

HACR circuit breaker in USA only

Dimensional Data - HWW036 - 120



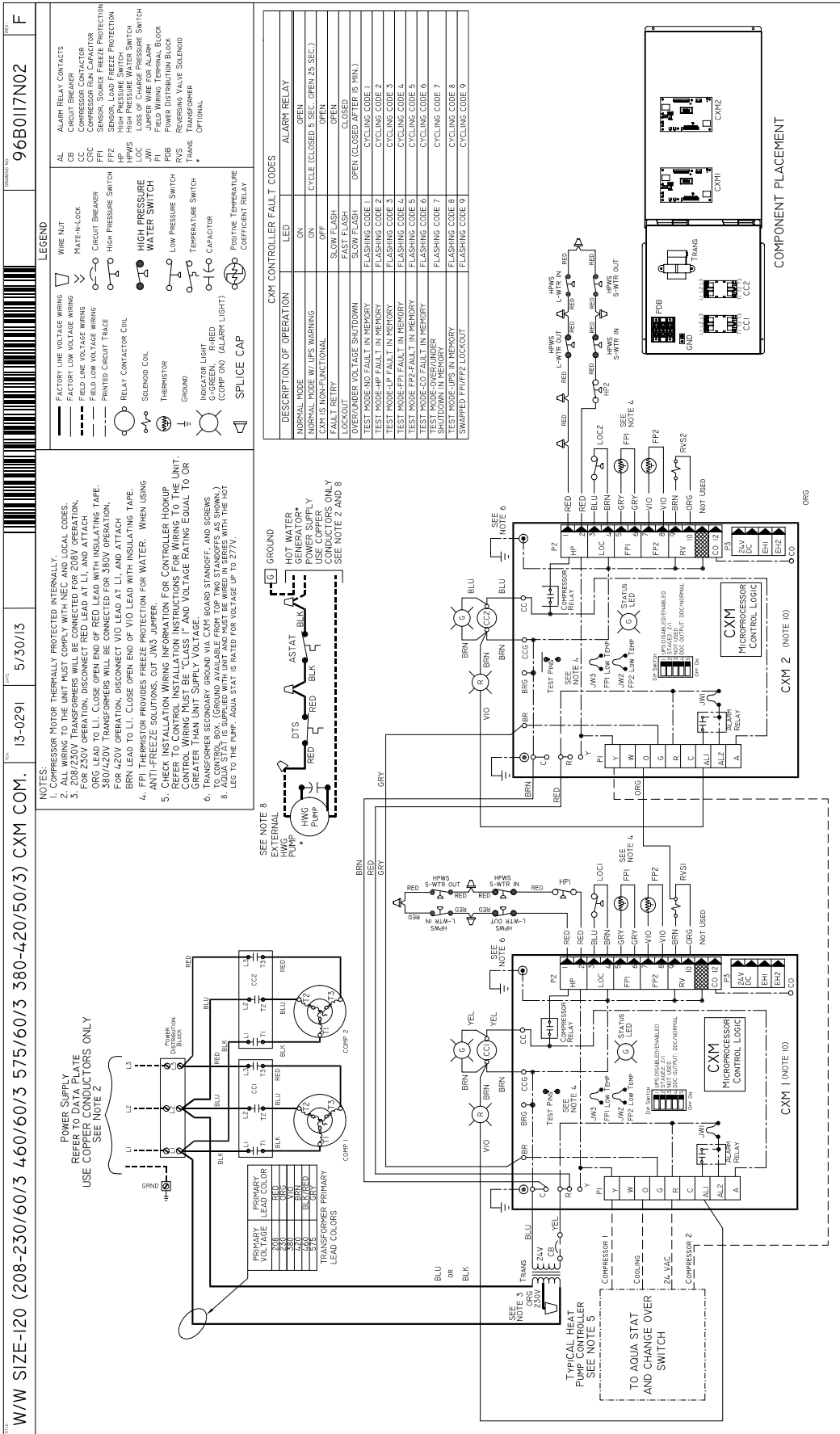
Water to Water	Overall Cabinet			Water Connections						Electric Access Plugs			
	A Depth	B Width	C Height	1	2	3	4	5	6	K Low Voltage	L External Pump	M Power Supply	
				D Source (Outdoor) Water In	E Source (Outdoor) Water Out	F Load (Indoor) Water In	G Load (Indoor) Water Out	H HWG Return In	J HWG Water Out				
036-060	in.	30.6	25.4	33	2.7	9.4	19.4	24.5	27.9	30.4	20.9	22.9	30.9
	cm.	77.8	64.5	83.8	6.9	23.9	49.3	62.2	70.9	77.2	53.1	58.2	78.5
120	in.	30.6	52.9	37	25.2	25.2	30.1	30.1	34.9	34.9	29.9	31.9	34.4
	cm.	77.8	134.4	94	64.0	64.0	76.5	76.5	88.6	88.6	75.9	81.0	87.4

HACR circuit breaker in USA only

HWW Series Wiring Diagram Matrix

Model	Wiring Diagram Part Number	Electrical	Control	DDC	Agency
HWW036-060	96B0223N02	208-230/60/1, 265/60/1 (HWW036 ONLY)	CXM	MPC/LON	ETL
	96B0223N03	208-230/60/3, 460/60/3, 575/60/3			
	96B0224N01	208-230/60/1 (HWW060 ONLY)			
	96B0223N06	208-230/60/1, 265/60/1 (HWW036 ONLY)	DXM	MPC/LON	
	96B0223N07	208-230/60/3, 460/60/3, 575/60/3			
	96B0224N02	208-230/60/1 (HWW060 ONLY)			
HWW120	96B0225N02	208-230/60/1	CXM	MPC/LON	
	96B0225N03	208-230/60/3, 460/60/3, 575/60/3		MPC/LON	
	96B0225N05	208-230/60/1	DXM	MPC/LON	
	96B0225N06	208-230/60/3, 460/60/3, 575/60/3		MPC/LON	

Typical Wiring Diagram - Three Phase HWW120 Units with CXM



Water-to-Water (HWW) Series 60Hz Engineering Specifications – Page 1

General:

Furnish and install Comfort-Aire/Century “HWW” Water-Source Heat Pumps as indicated on the plans. Equipment shall be completely assembled, piped and internally wired. Capacities and characteristics as listed in the schedule and the specifications that follow.

Units shall be supplied completely factory built capable of operating over an entering water temperature range from 20° to 120°F (-6.7° to 48.9°C) as standard. Equivalent units from other manufacturers may be proposed provided approval to bid is given 10 days prior to bid closing. All equipment listed in this section must be rated in accordance with Air-Conditioning, Heating and Refrigeration Institute/International Standards Organization (AHRI/ISO 13256-2). All equipment must be tested, investigated, and determined to comply with the requirements of the standards for Heating and Cooling Equipment UL-1995 for the United States and CAN/CSA-C22.2 NO.236 for Canada, by Intertek Testing Laboratories (ETL). The units shall have AHRI/ISO and ETL-US-C labels.

All units shall pass a factory acceptance test. The quality control system shall automatically perform factory acceptance test via computer. A detailed report card from the factory acceptance test shall ship with each unit. ***(Note: If unit fails the factory acceptance test, it shall not be allowed to ship. Unit serial number shall be recorded by factory acceptance test and furnished on report card for ease of unit warranty status.)***

Basic Construction:

All units must have multiple removable panels for serviceability of compressor compartment. **Units having only one access panel shall not be acceptable.**

The heat pumps shall be fabricated from heavy gauge galvanized steel with powder coat paint finish. Both sides of the steel shall be painted for added protection. All interior surfaces shall be lined with 1/2 inch (12.7mm) thick, 1-1/2 lb/ft³ (24 kg/m³) acoustic type glass fiber insulation. Insulation placement shall be designed in a manner that will eliminate any exposed edges.

Standard cabinet panel insulation must meet NFPA 90A requirements, air erosion and mold growth limits of UL-181, stringent fungal resistance test per ASTM-C1071 and ASTM G21, and shall meet zero level bacteria growth per ASTM G22. **Unit insulation must meet these stringent requirements or unit(s) will not be accepted.**

Cabinets shall have separate holes and knockouts for entrance of line voltage and low voltage control wiring. All factory-installed wiring passing through factory knockouts and openings shall be protected from sheet metal edges at openings by plastic ferrules. Supply and return water connections shall be copper FPT fittings. **Contractor shall be responsible for any extra costs involved in the installation of units that do not have this feature.** Contractor must ensure that units can be easily removed for servicing and coordinate locations of electrical conduit and lights with the electrical contractor.

Unit(s) shall have exterior indicator lights showing, 1) compressor operation (on/off) and 2) unit “fault” status. Contractor shall be responsible for providing control circuitry and indicator lights for units not providing this feature.

Option: UltraQuiet package - Size 036, 060, 120 include sound attenuating insulation on unit base pan and all removable panels plus a refrigerant line muffler.

Refrigerant Circuit:

Units shall have sealed, isolated refrigerant circuit(s), each including a high efficiency scroll compressor designed for heat pump operation, a thermostatic expansion valve for refrigerant metering, a reversing valve, load and source coaxial (tube in tube) refrigerant to water heat exchangers, and safety controls including a high pressure switch, low pressure switch (loss of charge), and low water temperature sensors. Access fittings shall be factory installed on high and low

Water-to-Water (HWW) Series 60Hz Engineering Specifications – Page 2

pressure refrigerant lines to facilitate field service. Activation of any safety device shall prevent compressor operation via a microprocessor lockout circuit. **Units with brazed plate heat exchangers will not be accepted.**

Unit shall be supplied with extended range insulation, which adds closed cell insulation to internal water lines, and provides insulation on suction side refrigeration tubing including refrigerant to water heat exchangers.

Hermetic compressors shall be internally sprung. The compressors shall have a dual level vibration isolation system. The compressors will be mounted on specially engineered sound-tested EPDM vibration isolation grommets to a large heavy gauge compressor mounting plate, which is then isolated from the cabinet base with rubber grommets for maximized vibration attenuation. Compressors shall have thermal overload protection.

Refrigerant to water heat exchangers shall be of copper inner water tube and steel refrigerant outer tube design, rated to withstand 625 PSIG (4309 kPa) working refrigerant pressure and 450 PSIG (3101 kPa) working water pressure. The refrigerant to water heat exchanger shall be “electro-coated” with a low cure cathodic epoxy material a minimum of 0.4 mils thick (0.4 – 1.5 mils range) on all surfaces. The black colored coating shall provide a minimum of 1000 hours salt spray protection per ASTM B117-97 on all external steel and copper tubing. The material shall be formulated without the inclusion of any heavy metals and shall exhibit a pencil hardness of 2H (ASTM D3363-92A), crosshatch adhesion of 4B-5B (ASTM D3359-95), and impact resistance of 160 in-lbs (184 kg-cm) direct (ASTM D2794-93).

Option: The unit will be supplied with cupro-nickel coaxial water to refrigerant heat exchanger (specify source and/or load heat exchanger).

Electrical:

A control box shall be located within the unit compressor compartment and shall contain a 75VA transformer, 24 volt activated, 3 pole compressor contactor, terminal block for thermostat wiring and solid-state controller for complete unit operation. Reversing valve wiring shall be routed through this electronic controller. Units shall be name-plated for use with time delay fuses or HACR circuit breakers. Unit controls shall be 24 Volt and provide heating or cooling as required by the remote aquastat / sensor. Units with two compressors (120 and 340) shall have a solid-state time delay relay and random start to prevent both compressors from starting simultaneously.

Solid State Control System (CXM):

Units shall have a solid-state control system. Units utilizing electro-mechanical control shall not be acceptable. The control system microprocessor board shall be specifically designed to protect against building electrical system noise contamination, EMI, and RFI interference. The control system shall interface with a heat pump type thermostat. The control system shall have the following features:

- a. Anti-short cycle time delay on compressor operation.
- b. Random start on power up mode.
- c. Low voltage protection.
- d. High voltage protection.
- e. Unit shutdown on high or low refrigerant pressures.
- f. Unit shutdown on low water temperature.
- g. Condensate overflow electronic protection.
- h. Option to reset unit at thermostat or disconnect.
- i. Automatic intelligent reset. Unit shall automatically reset the unit 5 minutes after trip if the fault has cleared. If a fault occurs 3 times sequentially without thermostat meeting temperature, then lockout requiring manual reset will occur.
- j. Ability to defeat time delays for servicing.
- k. Light emitting diode (LED) on circuit board to indicate high pressure, low pressure, low voltage, high voltage, low water/air temperature cut-out, condensate overflow, and control voltage status.

Water-to-Water (HWW) Series 60Hz Engineering Specifications – Page 3

- l. The low-pressure switch shall not be monitored for the first 120 seconds after a compressor start command to prevent nuisance safety trips.
- m. 24V output to cycle a motorized water valve or other device with compressor contactor.
- n. Unit Performance Sentinel (UPS). The UPS warns when the heat pump is running inefficiently.
- o. Water coil low temperature sensing (selectable for water or anti-freeze).
- p. Air coil low temperature sensing.

NOTE: Units not providing the 8 safety protections of anti-short cycle, low voltage, high voltage, high refrigerant pressure, low pressure (loss of charge), air coil low temperature cut-out, water coil low temperature cut-out, and condensate overflow protections will not be accepted.

Option: Enhanced solid state control system (DXM)

This control system features two stage control of cooling and two stage control of heating modes for exacting temperature and dehumidification purposes.

This control system coupled with a multi-stage thermostat will better dehumidify room air by automatically running the heat pump's fan at lower speed on the first stage of cooling thereby implementing low sensible heat ratio cooling. On the need for higher cooling performance the system will activate the second stage of cooling and automatically switch the fan to the higher fan speed setting. This system may be further enhanced with a humidistat. Units not having automatic low sensible heat ratio cooling will not be accepted; as an alternate a hot gas reheat coil may be provided with control system for automatic activation.

Control shall have all of the above-mentioned features of the CXM control system along with the following expanded features:

- a. Removable thermostat connector.
- b. Night setback control.
- c. Random start on return from night setback.
- d. Minimized reversing valve operation (Unit control logic shall only switch the reversing valve when cooling is demanded for the first time. The reversing valve shall be held in this position until the first call for heating, ensuring quiet operation and increased valve life.).
- e. Override temperature control with 2-hour timer for room occupant to override setback temperature at the thermostat.
- f. Dry contact night setback output for digital night setback thermostats.
- g. Ability to work with heat pump or heat/cool (Y, W) type thermostats.
- h. Ability to work with heat pump thermostats using O or B reversing valve control.
- i. Emergency shutdown contacts.
- j. Boilerless system heat control at low loop water temperature.
- k. Ability to allow up to 3 units to be controlled by one thermostat.
- l. Relay to operate an external damper.
- m. Ability to automatically change fan speed from multistage thermostat.
- n. Relay to start system pump.
- o. 75 VA control transformer. Control transformer shall have load side short circuit and overload protection via a built in circuit breaker.

Digital Night Setback with Pump Restart (DXM)

The unit will be provided with a Digital Night Setback feature using an accessory relay on the DXM controller with a thermostat and an external, field-provided time clock. The external time clock will initiate and terminate the night setback period. The thermostat will have a night setback override feature with a programmable override time period.

Water-to-Water (HWW) Series 60Hz Engineering Specifications – Page 4

An additional accessory relay on the unit DXM controller will energize the building loop pump control for the duration of the override period. (**Note: this feature requires additional low voltage wiring. Consult Application Drawings for details.**)

Option: Lonworks interface system

Units shall have all the features listed above (either CXM or DXM) and the control board will be supplied with a LONWORKS interface board, which is LONMark certified. This will permit all units to be daisy chained via a 2-wire twisted pair shielded cable. The following points must be available at a central or remote computer location:

- a. Source leaving water temperature
- b. Load leaving water temperature
- c. Command of temperature setpoint
- d. Cooling status
- e. Heating status
- f. Low temperature sensor alarm
- g. Low pressure sensor alarm
- h. High pressure switch alarm
- i. Hi/low voltage alarm
- j. Unoccupied/occupied command
- k. Cooling command
- l. Heating command
- m. Fault reset command
- n. Itemized fault code revealing reason for specific shutdown fault (any one of 7)

This option also provides the upgraded 75VA control transformer with load side short circuit and overload protection via a built in circuit breaker.

Option: MPC (Multiple Protocol Control) interface system

Units shall have all the features listed above (either CXM or DXM) and the control board will be supplied with a Multiple Protocol interface board. Available protocols are BACnet MS/TP, Modbus, or Johnson Controls N2. The choice of protocol shall be field selectable/changeable via the use of a simple selector switch. Protocol selection shall not require any additional programming or special external hardware or software tools. This will permit all units to be daisy chain connected by a 2-wire twisted pair shielded cable. The following points must be available at a central or remote computer location:

- a. Source leaving water temperature
- b. Load leaving water temperature
- c. Command of space temperature setpoint
- d. Cooling status
- e. Heating status
- f. Low temperature sensor alarm
- g. Low pressure sensor alarm
- h. High pressure switch alarm
- i. Hi/low voltage alarm
- j. Unoccupied/occupied command
- k. Cooling command
- l. Heating command
- m. Fault reset command
- n. Itemized fault code revealing reason for specific shutdown fault (any one of 7)

Water-to-Water (HWW) Series 60Hz Engineering Specifications – Page 5

This option also provides the upgraded 75VA control transformer with load side short circuit and overload protection via a built in circuit breaker.

FIELD INSTALLED OPTIONS

Hose Kits:

All units shall be connected with hoses. The hoses shall be 2 feet (61cm) long, braided stainless steel; fire rated hoses complete with adapters. Only fire rated hoses will be accepted.

Valves:

The following valves are available and will be shipped loose:

- a. Ball valve; bronze material, standard port full flow design, FPT connections.
- b. Ball valve with memory stop and PT port.
- c. “Y” strainer with blowdown valve; bronze material, FPT connections.
- d. Motorized water valve; slow acting, 24v, FPT connections.

Hose Kit Assemblies:

The following assemblies ship with the valves already assembled to the hose described:

- a. Supply and return hoses having ball valve with PT port.
- b. Supply hose having ball valve with PT port; return hose having automatic flow regulator valve with PT ports, and ball valve.
- c. Supply hose having “Y” strainer with blowdown valve, and ball valve with PT port; return hose having automatic flow regulator with PT ports, and ball valve.
- d. Supply hose having “Y” strainer with blowdown valve, and ball valve with PT port; return hose having ball valve with PT port.

Performance Sheet

SUBMITTAL DATA - S-I UNITS

Unit Designation: _____

Job Name: _____

Architect: _____

Engineer: _____

Contractor: _____

PERFORMANCE DATA

Cooling Capacity: _____ kW

EER: _____

Heating Capacity: _____ kW

COP: _____

Ambient Air Temp: _____ °C

Entering Water Temp (Clg): _____ °C

Entering Air Temp (Clg): _____ °C

Entering Water Temp (Htg): _____ °C

Entering Air Temp (Htg): _____ °C

Airflow: _____ l/s

Fan Speed or Motor/RPM/Turns: _____

Operating Weight: _____ (kg)

ELECTRICAL DATA

Power Supply: _____ Volts

_____ Phase _____ Hz

Minimum Circuit Ampacity: _____

Maximum Overcurrent Protection: _____

SUBMITTAL DATA - I-P UNITS

Unit Designation: _____

Job Name: _____

Architect: _____

Engineer: _____

Contractor: _____

PERFORMANCE DATA

Cooling Capacity: _____ Btuh

EER: _____

Heating Capacity: _____ Btuh

COP: _____

Ambient Air Temp: _____ °F

Entering Water Temp (Clg): _____ °F

Entering Air Temp (Clg): _____ °F

Entering Water Temp (Htg): _____ °F

Entering Air Temp (Htg): _____ °F

Airflow: _____ CFM

Fan Speed or Motor/RPM/Turns: _____

Operating Weight: _____ (lb)

ELECTRICAL DATA

Power Supply: _____ Volts

_____ Phase _____ Hz

Minimum Circuit Ampacity: _____

Maximum Overcurrent Protection: _____

Revision History

Date:	Item:	Action:
11/15/16	Document Design Update	Updated
03/17/16	Pages 28 and 38	Edit 036-120 Dimensional Data and test run text
10/15/15	Wiring Diagram Matrix	Updated
02/26/13	AHRI Table	Size 120 Updated
02/04/13	HWW060 Htg/Clg Performance Data	Updated WPD and ELWT
01/11/12	Engineering Specifications	Removed references to air flow, air temperature
08/09/11	Unit Maximum Working Water Pressure	Updated to Reflect New Safeties
08/03/11	Engineering Specifications	Added Digital Night Setback with Pump Restart (DXM)
05/20/11	Performance Data	Updated
04/26/11	Performance Data	Updated Heating Table for HWW60, & HWW120
04/07/11	Engineering Specification NOTICE	Updated
2/11/11	Performance Data Selection Notes	Updated
02/07/11	Performance Data	Updated Heating Table for HWW036, HWW120
02/03/11	Series Nomenclature	Updated Revision Level
01/03/11	Format - All Pages	Updated
11/30/10	Electrical Table	Updated
10/21/10	Load Coil Option "V"	Removed
10/21/10	Engineering Specifications	Updated
09/28/10	Engineering Specifications	Updated
07/26/10	Wiring Diagrams	Updated
06/11/10	Format - All Pages	Updated
06/11/10	Engineering Specifications	Updated

Due to ongoing product improvements, specifications and dimensions are subject to change and correction without notice or incurring obligations. Determining the application and suitability for use of any product is the responsibility of the installer. Additionally, the installer is responsible for verifying dimensional data on the actual product prior to beginning any installation preparations.

Incentive and rebate programs have precise requirements as to product performance and certification. All products meet applicable regulations in effect on date of manufacture; however, certifications are not necessarily granted for the life of a product. Therefore, it is the responsibility of the applicant to determine whether a specific model qualifies for these incentive/rebate programs.



1900 Wellworth Ave., Jackson, MI 49203 • Ph. 517-787-2100 • www.marsdelivers.com

