

BCW1

SPECIFICATIONS

Cabinet & General Features

- Patent pending flexible copper tubing for easy motor access.
- Low 30" height all models, all sizes
- Cabinets Constructed of heavy-gauge, corrosion-resistant galvanized steel
- Refrigerant connections located on top left
- 5/8" foil-faced insulation for excellent sweat resistance and quiet operation
- (4) Screw removal for easy access to all electrical connections
- Dual condensate drain connections on left side, right side, and bottom of cabinet
- 1" duct flanges on all models simplify attachment to plenums such as 1 1/2" duct board
- Air filter included with every air handler; no tools required for change out
- Decorative Wall panel (26"w x 38"h) available as accessory; reduce publish sound level
- Wall hanging bracket available as accessory for field installation
- Approved for installation in manufactured housing and mobile homes

Coil Features

- AC or HP applications; R-22 & R-410a Compatible
- Proven copper tube and aluminum fin coil technology
- Field or factory installed threaded expansion valve
- Corrosion proof plastic drain pan

Electrical Features

- 5-speed high efficiency ECM motor or PSC motor available
- Easy to service electric heat section
- 5, 7.5, or 10 kW heat kits standard factory installed on all models
- Pull disconnect line voltage connection standard on all models
- Includes thermostat connections, time delay (1 sec. on, 45 sec. off), & motor uses control board; functions are built into the 5-speed ECM motor)

WALL MOUNT AIR HANDLER

Vertical Only



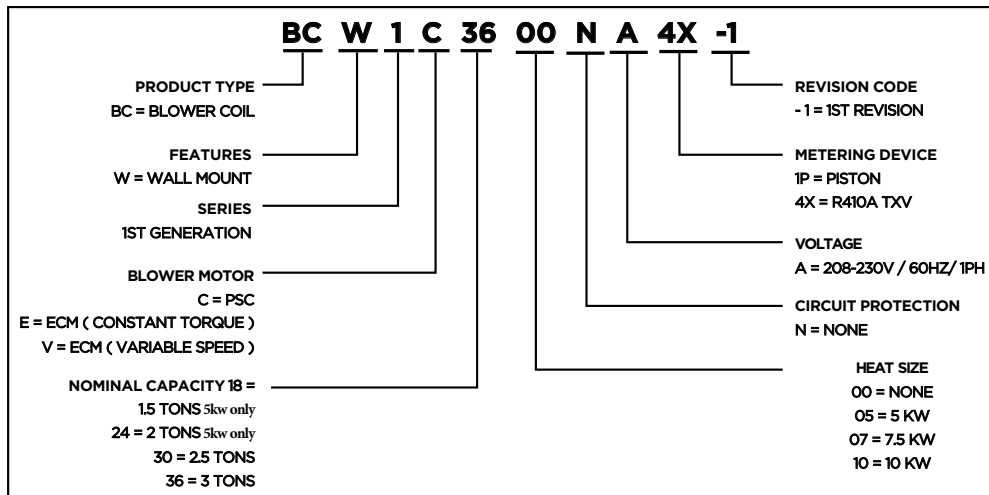
WARRANTY

Standard warranty 1 year parts.
See warranty document for details
or visit www.marsdelivers.com

Warranty

Standard warranty or Extended warranty available with product registration.
See warranty document for details or visit www.marsdelivers.com

MODEL NUMBER GUIDE



A/C MATCHES

ORDER CAT. #	WALL MOUNT UNIT	OUTDOOR UNIT - M	SEER	EER	BTU'S	CFM	KW HEAT
1.901196	BCW1C1805NA4X-1	RSG1318S1M	13	11	16600	650	5
1.901197	BCW1C2405NA4X-1	RSG1324S1M	13	11	21800	800	5
1.901198	BCW1C2407NA4X-1	RSG1324S1M	13	11	21800	800	7.5
1.901199	BCW1C3005NA4X-1	RSG1330S1M	13	11	27000	1000	5
1.901200	BCW1C3007NA4X-1	RSG1330S1M	13	11	27000	1000	7.5
1.901203	BCW1E3607NA4X-1	RSG1336S1M	14	10.5	33000	1200	7.5
1.901204	BCW1E3610NA4X-1	RSG1336S1M	14	10.5	33000	1200	10
1.901196	BCW1C1805NA4X-1	RSG1418S1M	14.5	12.2	16900	650	5
1.901197	BCW1C2405NA4X-1	RSG1424S1M	14.5	12.2	21800	800	5
1.901198	BCW1C2407NA4X-1	RSG1424S1M	14.5	12.2	21800	800	7.5
1.901199	BCW1C3005NA4X-1	RSG1430S1M	14	12.2	26800	1000	5
1.901200	BCW1C3007NA4X-1	RSG1430S1M	14	12.2	26800	1000	7.5
1.901203	BCW1E3607NA4X-1	RSG1436S1M	15	12.5	32200	1200	7.5
1.901204	BCW1E3610NA4X-1	RSG1436S1M	15	12.5	32200	1200	10
ORDER CAT. #	WALL MOUNT UNIT	OUTDOOR UNIT - P	SEER	EER	BTU'S	CFM	KW HEAT
1.901196	BCW1C1805NA4X-1 + TD	RSG1418S1P	14	12.2	16,900	600	5
1.901197	BCW1C2405NA4X-1 + TD	RSG1418S1P	14	12.2	16,900	600	5
1.901198	BCW1C2407NA4X-1	RSG1424S1P	14.5	12.2	23,000	800	7.5
1.901197	BCW1C2405NA4X-1 + TD	RSG1424S1P	14.5	12.2	23,000	800	5
1.901198	BCW1C2407NA4X-1	RSG1424S1P	14.5	12.2	23,000	800	7.5
1.901199	BCW1C3005NA4X-1	RSG1424S1P	14.5	12.2	23,000	800	5
1.901200	BCW1C3007NA4X-1	RSG1424S1P	14.5	12.2	23,000	800	7.5
1.901199	BCW1C3005NA4X-1	RSG1430S1P	14	12.2	26,800	1000	5
1.901200	BCW1C3007NA4X-1	RSG1430S1P	14	12.2	26,800	1000	7.5
1.901203	BCW1E3607NA4X-1	RSG1430S1P	15	12.2	27,600	1000	7.5
1.901204	BCW1E3610NA4X-1	RSG1430S1P	15	12.2	33,400	1200	10

A/C MATCHES

ORDER CAT. #	WALL MOUNT UNIT	OUTDOOR UNIT - R	SEER2	EER95F2	CAPACITY2	CFM	KW HEAT
1.901196	BCW1C1805NA4X-1 + TD	RSG1518S1R-***A	14.3	12	16700	600	5
1.901197	BCW1C2405NA4X-1 + TD	RSG1518S1R-***A	14.3	12	16700	600	5
1.901198	BCW1C2407NA4X-1 + TD	RSG1518S1R-***A	14.3	12	16700	600	7
1.901205	BCW1E2505NA4X-1	RSG1518S1R-***A	15.2	12.5	16700	600	5
1.901206	BCW1E2507NA4X-1	RSG1518S1R-***A	15.2	12.5	16700	600	7
1.901197	BCW1C2405NA4X-1 + TD	RSG1524S1R-***A	14.3	12	22200	800	5
1.901198	BCW1C2407NA4X-1 + TD	RSG1524S1R-***A	14.3	12	22200	800	7
1.901199	BCW1C3005NA4X-1 + TD	RSG1524S1R-***A	14.5	12	22200	800	5
1.901200	BCW1C3007NA4X-1 + TD	RSG1524S1R-***A	14.5	12	22200	800	7
1.901205	BCW1E2505NA4X-1	RSG1524S1R-***A	15.2	12.5	22200	800	5
1.901206	BCW1E2507NA4X-1	RSG1524S1R-***A	15.2	12.5	22200	800	7
1.901203	BCW1E3607NA4X-1	RSG1530S1R-***A	15.2	12.5	27600	1000	7
1.901204	BCW1E3610NA4X-1	RSG1530S1R-***A	15.2	12.5	27600	1000	10
1.901203	BCW1E3607NA4X-1	RSG1536S1R-***A	15.2	12.5	34400	1200	7
1.901204	BCW1E3610NA4X-1	RSG1536S1R-***A	15.2	12.5	34400	1200	10
1.901196	BCW1C1805NA4X-1 + TD	RSG1718S1R-***A	14.3	12	16700	600	5
1.901197	BCW1C2405NA4X-1 + TD	RSG1718S1R-***A	14.3	12	16700	600	5
1.901198	BCW1C2407NA4X-1 + TD	RSG1718S1R-***A	14.3	12	16700	600	7
1.901205	BCW1E2505NA4X-1	RSG1718S1R-***A	15.2	12.5	16700	600	5
1.901206	BCW1E2507NA4X-1	RSG1718S1R-***A	15.2	12.5	16700	600	7
1.901197	BCW1C2405NA4X-1 + TD	RSG1724S1R-***A	14.3	12	22200	800	5
1.901198	BCW1C2407NA4X-1 + TD	RSG1724S1R-***A	14.3	12	22200	800	7
1.901199	BCW1C3005NA4X-1 + TD	RSG1724S1R-***A	14.5	12	22200	800	5
1.901200	BCW1C3007NA4X-1 + TD	RSG1724S1R-***A	14.5	12	22200	800	7
1.901205	BCW1E2505NA4X-1	RSG1724S1R-***A	15.2	12.5	22200	800	5
1.901206	BCW1E2507NA4X-1	RSG1724S1R-***A	15.2	12.5	22200	800	7
1.901203	BCW1E3607NA4X-1	RSG1730S1R-***A	15.2	12.5	27600	1000	7
1.901204	BCW1E3610NA4X-1	RSG1730S1R-***A	15.2	12.5	27600	1000	10
1.901203	BCW1E3607NA4X-1	RSG1736S1R-***A	15.2	12.5	34400	1200	7
1.901204	BCW1E3610NA4X-1	RSG1736S1R-***A	15.2	12.5	34400	1200	10

HP MATCHES

ORDER CAT. #	WALL MOUNT UNIT	OUTDOOR UNIT	SEER	EER	HEAT @ 95°	HEAT @ 47°	HEAT @ 17°	HSPF	CFM	KW HEAT
1.901196	BCW1C1805NA4X-1	HRG1418S1M	14	12	16900	17000	8400	8.2	650	5
1.901197	BCW1C2405NA4X-1	HRG1424S1M	14	12	22400	21000	12400	8.2	850	5
1.901198	BCW1C2407NA4X-1	HRG1424S1M	14	12	22400	21000	12400	8.2	850	7.5
1.901199	BCW1C3005NA4X-1	HRG1424S1M	14	12.2	22400	21000	12400	8.2	850	5
1.901200	BCW1C3007NA4X-1	HRG1424S1M	14	12.2	22400	21000	12400	8.2	850	7.5
1.901203	BCW1E3607NA4X-1	HRG1430S1M	15	12.2	27600	25000	15400	8.2	1000	7.5
1.901204	BCW1E3610NA4X-1	HRG1430S1M	15	12.2	27600	25000	15400	8.2	1000	10
ORDER CAT. #	WALL MOUNT UNIT	OUTDOOR UNIT MODEL "R"	SEER2	EER95F2	CAPACITY2	HEATING @ 47°F	HEATING @ 17°F	HSPF2	CFM	KW HEAT
1.901205	BCW1E2505NA4X-1	HRG1518S1R-***A	15	12.5	17000	16400	9800	8.35	600	5
1.901206	BCW1E2507NA4X-1	HRG1518S1R-***A	15	12.5	17000	16400	9800	8.35	600	7
1.901199	BCW1C3005NA4X-1 + TD	HRG1524S1R-***A	14.3	12	21400	20400	12600	8.5	770	5
1.901200	BCW1C3007NA4X-1 + TD	HRG1524S1R-***A	14.3	12	21400	20400	12600	8.5	770	7
1.901205	BCW1E2505NA4X-1	HRG1524S1R-***A	15	12	21400	20400	12600	8.5	770	5
1.901206	BCW1E2507NA4X-1	HRG1524S1R-***A	15	12	21400	20400	12600	8.5	770	7
1.901203	BCW1E3607NA4X-1	HRG1530S1R-***A	15	11.5	28400	27200	17600	7.9	1000	7
1.901204	BCW1E3610NA4X-1	HRG1530S1R-***A	15	11.5	28400	27200	17600	7.9	1000	10

PHYSICAL

Model	Volts/Hz/Phase	Max. Elec. Heat Available (kW)	Transformer Size & Type	Filter Size (in.)	Refrigerant Connection (IDS)		"R-410a Piston Size (in)"	"R-22 Piston Size (in)"	Copper Weight (lbs.)	Aluminum Weight (lbs.)
					Suction (in.)	Liquid (in.)				
18	208/240V 60HZ 1 Phase	5	40VA Class 2	20x20	3/4"	3/8"	0.049	0.053	78	73
24	208/240V 60HZ 1 Phase	5	40VA Class 2	20x20	3/4"	3/8"	0.053	0.059	78	73
30	208/240V 60HZ 1 Phase	10	40VA Class 2	20x20	3/4"	3/8"	0.059	0.067	81	76
36	208/240V 60HZ 1 Phase	10	40VA Class 2	20x25	3/4"	3/8"	0.067	0.073	81	76

ELECTRICAL 3-SPEED PSC MOTOR

Model	Elec. Heating Cap.		Blower Amps		Min. Circuit Ampacity		Max. Circuit Breaker Size
	kW	Btuh	208v	240v	208v	240v	
	240v	240v					
18	5.0	17,065	1.8	1.7	24.8	28.2	30
24	5.0	17,065	1.8	1.7	24.8	28.2	30
30	5.0	17,065	2.1	2.0	25.2	28.5	30
	7.5	25,598	2.1	2.0	36.5	41.6	45
	10.0	34,130	2.1	2.0	47.8	54.6	60
36	5.0	17,065	2.1	2.0	25.2	28.5	30
	7.5	25,598	2.1	2.0	36.5	41.6	45
	10.0	34,130	2.1	2.0	47.8	54.6	60
36	7.5	25,598	3.1	2.9	37.7	42.7	45
	10.0	34,130	3.1	2.9	49.0	55.7	60
	10.0	34,130	3.1	2.9	49.0	55.7	60

5-SPEED HIGH EFFICIENCY ECM MOTOR

Model	Elec. Heating Cap.		Blower Amps		Min. Circuit Ampacity		Max. Circuit Breaker Size
	kW	Btuh	208v	240v	208v	240v	
	240v	240v					
36	7.5	25,598	3.1	2.9	37.7	42.7	45
	10.0	34,130	3.1	2.9	49.0	55.7	60

BLOWER PERFORMANCE 3-SPEED PSC MOTOR

Model	Cooling Speed Setting	Airflow (CFM) vs. External Static Pressure (inches W.C.)***				
		0.1	0.2	0.3	0.4	0.5
18	* ^ Low-Red	606	591	576	559	529
	Med - Blue	802	784	751	722	693
	High - Black	1046	1013	987	943	885
24	Low-Red	606	591	576	559	529
	* ^ Med - Blue	802	784	751	722	693
	High - Black	1046	1013	987	943	885
30	Low-Red	816	809	802	775	752
	* ^ Med - Blue	1000	985	970	935	889
	High - Black	1218	1175	1122	1070	1008

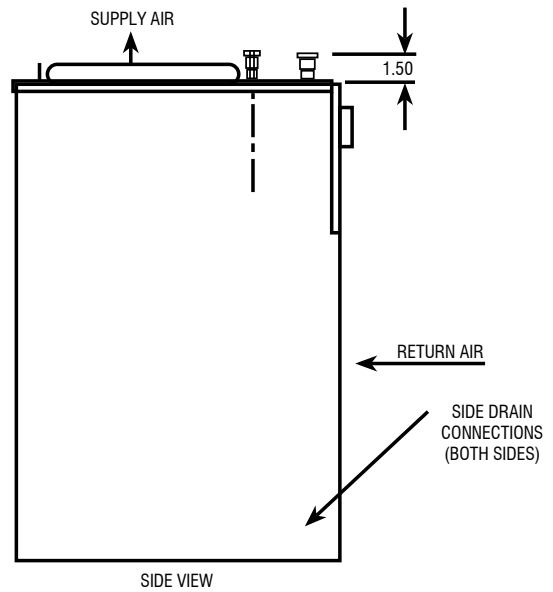
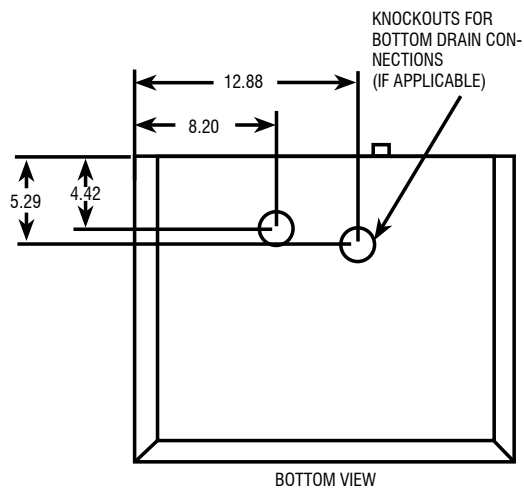
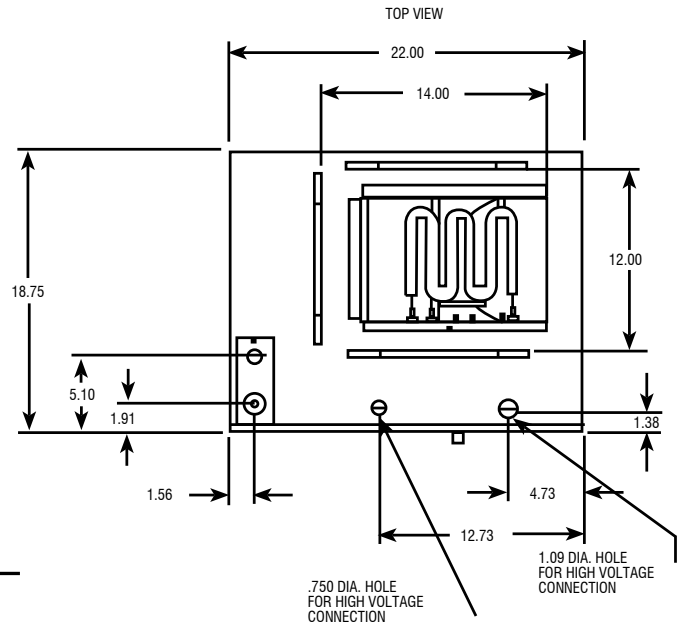
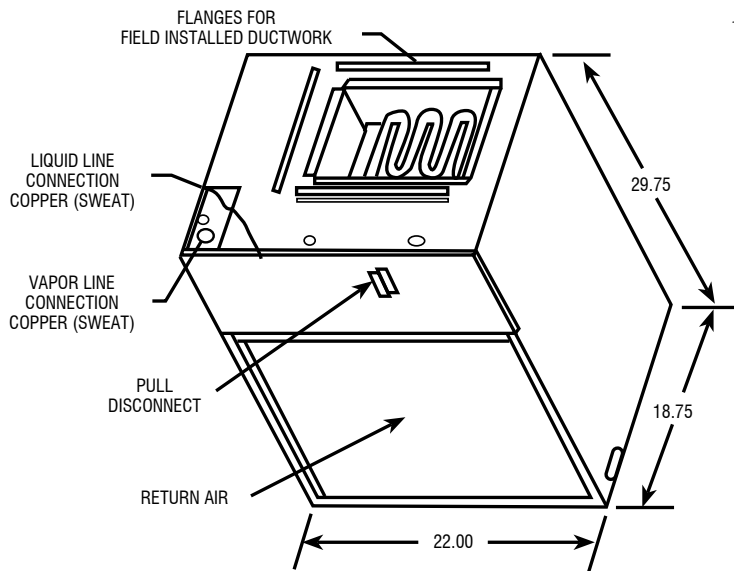
*Factory setting for cooling. ^ Factory setting for heating.

***All airflow data is with a dry coil, filter & electric heat.

**OPTIONAL FIELD
INSTALLED ACCESSORIES**

MODEL #	DESCRIPTION
1.841206	Wall Mount Brackets
R65517450	Wall Mount Decorative Wall Panel

DIMENSIONS



BCW1



"This product complies with all California product labeling laws including, but not limited to, the Safe Drinking Water and Toxic Enforcement Act of 1986, more commonly known as Proposition 65."

Due to ongoing product improvements, specifications and dimensions are subject to change and correction without notice or incurring obligations. Determining the application and suitability for use of any product is the responsibility of the installer. Additionally, the installer is responsible for verifying dimensional data on the actual product prior to beginning any installation preparations.

Third party incentive and rebate programs have precise requirements as to product performance and certification. All products meet applicable regulations in effect on date of manufacture; however, certifications are not necessarily granted for the life of a product. Therefore, it is the responsibility of the applicant to determine whether a specific model qualifies for these incentive/rebate programs.

SP-1M 1/23 HC-BCW1-WM_SPEC

©2023 MOTORS & ARMATURES, Inc.
MARS is a registered trademark of Motors & Armatures, Inc.
Comfort-Aire is a registered trademark of Motors & Armatures, Inc.

Comfort-Aire **Century**

1900 Wellworth Ave., Jackson MI 49203 • 517.787.2100 • www.comfort-aire.com • www.century-hvac.com

MARS
Delivering Confidence