

RSG16**S1P

SPECIFICATIONS

Compressor

- High-efficiency scroll compressor
- R410A refrigerant
- Heavy-duty compressor sound blanket for quiet operation (optional accessory)
- Internally protected against high temperature motor overload conditions

Cabinet

- Full metal louvered construction to protect the coil/ hail protection
- Individual louver panels; for ease of coil cleaning and service
- Corner-mounted controls for easy service
- Baked polyester paint finished over galvanized steel for maximum durability

Coils

- Total corrosion protection technology designed coil
- Enhanced tube-and-fin coil design featuring MHT™ Technology
- Lanced fins for maximum heat transfer
- Every coil factory tested for leakproof construction
- Raised coil prevents debris from impeding airflow

Components

- Factory installed high pressure switch
- Thread-on pressure switches for simple, quick replacement
- Filter drier shipped loose for installation flexibility
- Fan shroud for smoother airflow and sound level reduction
- Charged for 15 feet of line set
- 45-degree offset valves for easy service

Comfort-Care®

SPLIT AIR CONDITIONER SYSTEM

*16 SEER High Efficiency
16 SEER*



For the latest AHRI system matches,
please visit www.marsdeliversratings.com
or AHRIdirectory.org

Warranty—12 years on compressor, 6 years on parts
(Some limitations apply; see printed warranty for details.)

www.marsdelivers.com

MODEL NUMBER GUIDE

R	S	G	16	24	S	1	P
Residential Condenser	Split System	'Green' Gas R-410A	Minimum SEER	Capacity BTUH x 1000	S = Scroll Compressor	Power 1 = 208/230-1-60	Series/Revision

PHYSICAL AND ELECTRICAL DATA

Model	Voltage/Hz/Phase	Voltage Range	Min. Circuit Amp.	Max. Over Current Device (amps)	Compressor		Outdoor Fan Motor		Shipping Weight (lbs.)
					Rated Load (amps)	Locked Rotor (amps)	Rated Load (amps)	Rated HP	
RSG1618S1P	208-230/60/1	197-253	11.9	20	9	48	0.7	1/10	134
RSG1624S1P	208-230/60/1	197-253	14.6	25	10.9	59	1	1/6	152
RSG1630S1P	208-230/60/1	197-253	17	25	12.8	68	1	1/6	169
RSG1636S1P	208-230/60/1	197-253	18	30	13.6	79	1	1/6	181
RSG1641S1P	208-230/60/1	197-253	19.3	30	14.7	75	1	1/6	192
RSG1647S1P	208-230/60/1	197-253	21.9	35	16.1	106	1.8	1/3	231

Note:

Weights listed are unit weights with packaging

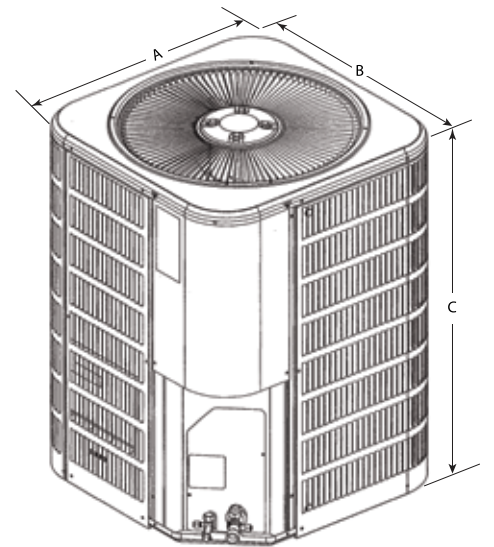
+ Factory charged for 15 feet of line set. Adjust per installation instructions.

UNIT DIMENSIONS & SOUND RATINGS

Model	Dimensions (inch)			Shipping Weight (Lbs.)	Sound Rating (dBA)
	A - Width	B - Depth	C - Height		
RSG1618S1P	24-1/4	24-1/4	29	134	73
RSG1624S1P	28-1/4	28-1/4	29	154	76
RSG1630S1P	28-1/4	28-1/4	37	169	76
RSG1636S1P	28-1/4	28-1/4	29	181	76
RSG1641S1P	28-1/4	28-1/4	37	227	74
RSG1647S1P	32-1/4	32-1/4	43	272	80

Note:

Dimensions listed are unit sizes w/o packaging



ACCESSORIES

Description	Where Used	Kit Number
Crankcase Heater	All Models	93M04
Hard Start Kit	18	10J42
	24, 30, 36, 41, 47	88M91
Low Ambient Kit	All Models	34M72
Short Cycle Protector	All Models	47J27
Freezestat	3/8 Tubing	93G35
Time Delay Relay	All Models	58M81
Loss Of Charge Kit	All Models	84M23 (Factory Installed)
Sound Blanket	18, 24, 30, 36, 41	14W00 (Factory Installed)
	47	14W01 (Factory Installed)

PERFORMANCE WITH COILS, AIR HANDLERS AND FURNACES

Outdoor Model	Indoor Model	TXV Kit Where Needed	Cooling			AHRI Reference Numbers
	Evap. Coil Air Handlers ¹		SEER	EER	AHRI Capacity ²	
18	HMG24X1P		16	13	18,000	203118201
	HMG30X1P		16	13	18,000	203118203
RSG1624S1P	HMG24X1M		15	12.5	24,000	205415768
	HMG30X1M		16	13	24,000	205415769
	HMG36X1M		16	13	24,000	205415770
	HMG24T1M		14.25	12.2	24,000	205415771
	HMG30T1M		14.25	12.2	24,000	205415772
	HMG36T1M		14.25	12.2	24,000	205415773
	HMG24X1P		16	13	24,000	203118246
	HMG30X1P		16	13	24,000	203118247
	HCG30V1P		16	13	24,000	203118249
30	HMG30X1P		16	13	29,000	203118372
	HMG36X1P		16	13	29,400	203118373
	HCG36V1P		16	13	29,000	203118375
36	HMG42X1M		16	13	34,000	205967735
	HMG36X1P		16	13	35,000	203120474
RSG1641S1P	HMG48F1P+TXV	H4TXV02	16	13	37,600	205751650
	HMG42X1M		16	13	37,000	205967733
	HMG42X1P		16	13	38,000	203118519
	HMG48X1P		16	13	38,000	203118520
	HCG42V1P		16	13	38,000	203118521
	HCG48V1P		16	13	38,000	203118522
60	HMG60X1P		16	13	46,000	203118595

Note: ¹A blower time delay relay is required to achieve AHRI rating. This feature is standard on all furnaces and AH products

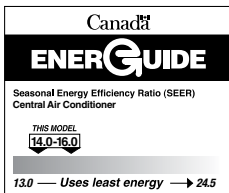
²Certified in accordance with Unitary Air Conditioner Certification Program, which is based on AHRI Standard 210/240

REFRIGERATION DATA

Model	Refrig. Charge (oz.) *	Refrigerant Line Size		Outdoor Unit Connection		Indoor Unit Connection	
		Suction	Liquid	Suction	Liquid	Suction	Liquid
RSG1618S1P	73	3/4	3/8	3/4	3/8	3/4	3/8
RSG1624S1P	73	3/4	3/8	3/4	3/8	3/4	3/8
RSG1630S1P	88	3/4	3/8	3/4	3/8	3/4	3/8
RSG1636S1P	113	7/8	3/8	7/8	3/8	7/8	3/8
RSG1641S1P	144	7/8	3/8	7/8	3/8	7/8	3/8
RSG1647S1P	176	7/8	3/8	7/8	3/8	7/8	3/8

*Factory charged for 15 feet of line set

** Adapter shipped with unit



“This product complies with all California product labeling laws including, but not limited to, the Safe Drinking Water and Toxic Enforcement Act of 1986, more commonly known as Proposition 65.”

Due to ongoing product improvements, specifications and dimensions are subject to change and correction without notice or incurring obligations. Determining the application and suitability for use of any product is the responsibility of the installer. Additionally, the installer is responsible for verifying dimensional data on the actual product prior to beginning any installation preparations. Third party incentive and rebate programs have precise requirements as to product performance and certification. All products meet applicable regulations in effect on date of manufacture; however, certifications are not necessarily granted for the life of a product. Therefore, it is the responsibility of the applicant to determine whether a specific model qualifies for these incentive/rebate programs.