

THREE PHASE SMALL SPLITS

COMMERCIAL SPLIT SYSTEMS

3- TO 5 TON TSA

3- TO 5 TON ML14XP1

2.5- TO 5 TON BCE7E

UP TO 16.0 EER
AND 9 HSPF



ALLIED[™]
Commercial

ENGINEERED FOR LASTING PERFORMANCE AND EFFICIENCY

Allied Commercial™ units are designed with advanced technology and durable components to perfectly heat and cool any space. With efficiency ratings up to 16.0 EER and 9 HSPF, the Small Splits from Allied Commercial are some of the most sensible choices on the market.

SMALL SPLITS AT A GLANCE:

Excellent heat transfer and low air resistance with enhanced Omniguard™ aluminum alloy tube/fin coils

Improved corrosion resistance compared to traditional coils with ML14XP's Omniguard Total Corrosion Protection Technology

Application flexibility and enhanced usage with optional accessories

BCE7E AT A GLANCE:

Range of sizes from 2.5 - 5 tons for application flexibility

Units may be disassembled into two separate sections for ease of installation

Optional electric heat kits in 5 - 20kW

Drain pan designed for upflow, downflow or horizontal applications

EFFICIENCY RATING

Up to 16.0 Seasonal Energy Efficiency Ratio (SEER) and 9 Heating Seasonal Performance Factor (HSPF)

WARRANTY

5-YEAR LIMITED WARRANTY
on compressor

1-YEAR LIMITED WARRANTY
on covered components and units

See warranty certificate for actual details.

Each one offers solid performance with a wide range of field-installable accessories, including multiple voltages for added flexibility, low ambient kits and compressor sound covers. The ML14XP1 model comes equipped with Omniguard™ Technology, a proven tube-and-fin coil design that delivers improved corrosion protection compared to traditional coils.

ALLIED COMMERCIAL AIR HANDLERS: A PERFECT MATCH FOR FLEXIBILITY

Pair the BCE7E with a ML14XP1 or TSA Small Split unit for proven performance and compatibility. With its flexible design, tool-less access to filter, and simple plug-in connections, installation and maintenance are hassle-free.




SMALL SPLIT AIR CONDITIONER AND HEAT PUMP PERFORMANCE SPECIFICATIONS

		PHYSICAL DATA				COOLING DATA ¹			HEATING DATA ¹		
NOM. TON	MODEL	SOUND RATINGS (dBA)	DIMENSIONS H X W X L (INCHES)	SHIP WT. (LBS)	BCE7E MATCH UP	CAPACITY (BTUH)	EFFICIENCY (SEER)	EFFICIENCY (EER)	CAPACITY (BTUH)	EFFICIENCY (HSPF)	
AIR CONDITIONERS	HIGH EFFICIENCY										
	3	TSA036H4N43*	76	28-1/4 x 28-1/4 x 37-1/4	164	BCE7E36M	34,600	16	13	-	-
	3.5	TSA042H4N4**	78	28-1/4 x 28-1/4 x 29-1/4	198	BCE7E42M	41,500	15.5	12.5	-	-
	4	TSA048H4N4**	78	28-1/4 x 28-1/4 x 37-1/4	221	BCE7E48M	48,000	14.5	12.2	-	-
	5	TSA060H4N4**	80	32-1/4 x 32-1/4 x 33-1/4	238	BCE7E60M	57,000	14	11.5	-	-
	STANDARD EFFICIENCY										
	3	TSA036S4N**	76	24-1/4 x 24-1/4 x 29-1/4	135	BCE7E36M	35,000	13	11.5	-	-
	3.5	TSA042S4N**	80	28-1/4 x 28-1/4 x 29-1/4	178	BCE7E42M	42,000	14	11.5	-	-
	4	TSA048S4N**	80	28-1/4 x 28-1/4 x 37-1/4	194	BCE7E60M	48,000	13	11.5	-	-
	5	TSA060S4N**	80	28-1/4 x 28-1/4 x 33-1/4	218	BCE7E60M	58,000	13	11	-	-
HEAT PUMPS	3	ML14XP1-036-233A**	76	28-1/4 x 28-1/4 x 37-1/4	229	BCE7E36M	33,400	15	12.5	32,200	9
	3.5	ML14XP1-042-233A**	79	32-1/4 x 32-1/4 x 37-1/4	272	BCE7E42M	41,500	15.1	12.5	39,500	8.5
	4	ML14XP1-048-233A**	80	32-1/4 x 32-1/4 x 37-1/4	273	BCE7E48M	48,000	15	12.2	47,000	9
	5	ML14XP1-060-233A**	80	32-1/4 x 32-1/4 x 43-1/4	295	BCE7E60M	56,000	14.5	12.2	53,500	9
	3.5	ML14XP1-042-463A**	79	32-1/4 x 32-1/4 x 37-1/4	272	BCE7E42M	41,500	15.1	12.5	39,500	8.5
	4	ML14XP1-048-463A**	80	32-1/4 x 32-1/4 x 37-1/4	273	BCE7E48M	48,000	15	12.2	47,000	9
	5	ML14XP1-060-463A**	80	32-1/4 x 32-1/4 x 43-1/4	295	BCE7E60M	56,000	14.5	12.2	53,500	9

¹ Using AHRI data when paired with listed BCE7E match up. More ratings can be found at www.AHRIdirectory.org.

NOTE:

Sound rating number in accordance with test conditions included in ARI Standard 270.
 5-ton-and-under equipment certified in accordance with ULE certification program, which is based on ARI Standard 210/240.
 Cooling ratings, 95°F (35°C) outdoor air temperature and 80°F (27°C) db/67°F (19°C) wb entering indoor coil air.
 High-temperature heating ratings, 47°F (8°C) db/43°F (6°C) wb outdoor air temperature and 70°F (21°C) entering indoor coil air.
 Note: Due to Allied Commercial's ongoing commitment to quality, all specifications, ratings and dimensions are subject to change.

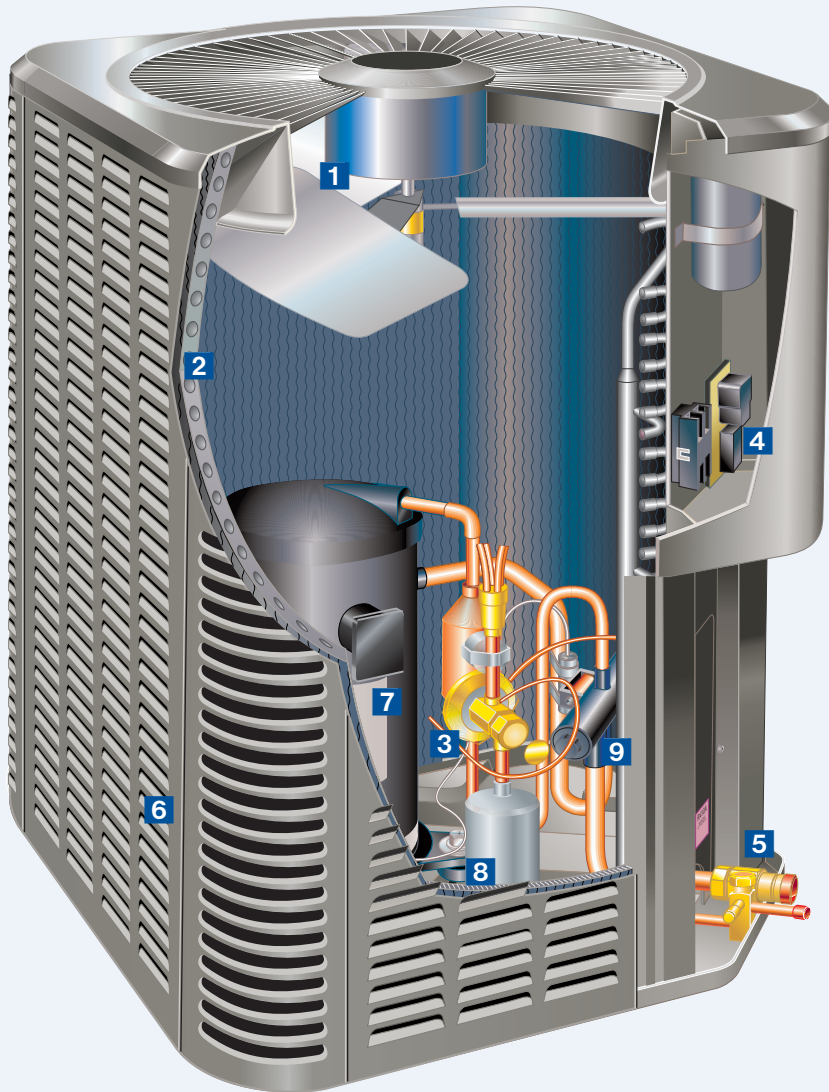


ALLIED COMMERCIAL MEANS TOUGH, PROVEN EQUIPMENT

When you select Allied Commercial Small Split equipment, you're getting engineered solutions that are a smart choice the day you buy them, and long into the future. Inside every piece of Allied Commercial equipment, you'll find durable, time-tested components and safety features including low-pressure switches to protect against loss of charge, and optional high-pressure switches to protect the compressor should pressure exceed safe levels.

Each Small Split unit is backed by thorough testing in harsh lab conditions for maximum performance season after season.

ML14XP1 SMALL SPLIT HEAT PUMP



PROVEN DESIGNS

- 1 OUTDOOR COIL FAN** — Extra protection with a louvered steel top fan guard.
- 2 OMNIGUARD™ TECHNOLOGY** — Superior corrosion resistance and long lasting performance with aluminum tube and fin coil design.
- 3 EXPANSION VALVE** — Protects the system from high and low pressure conditions.

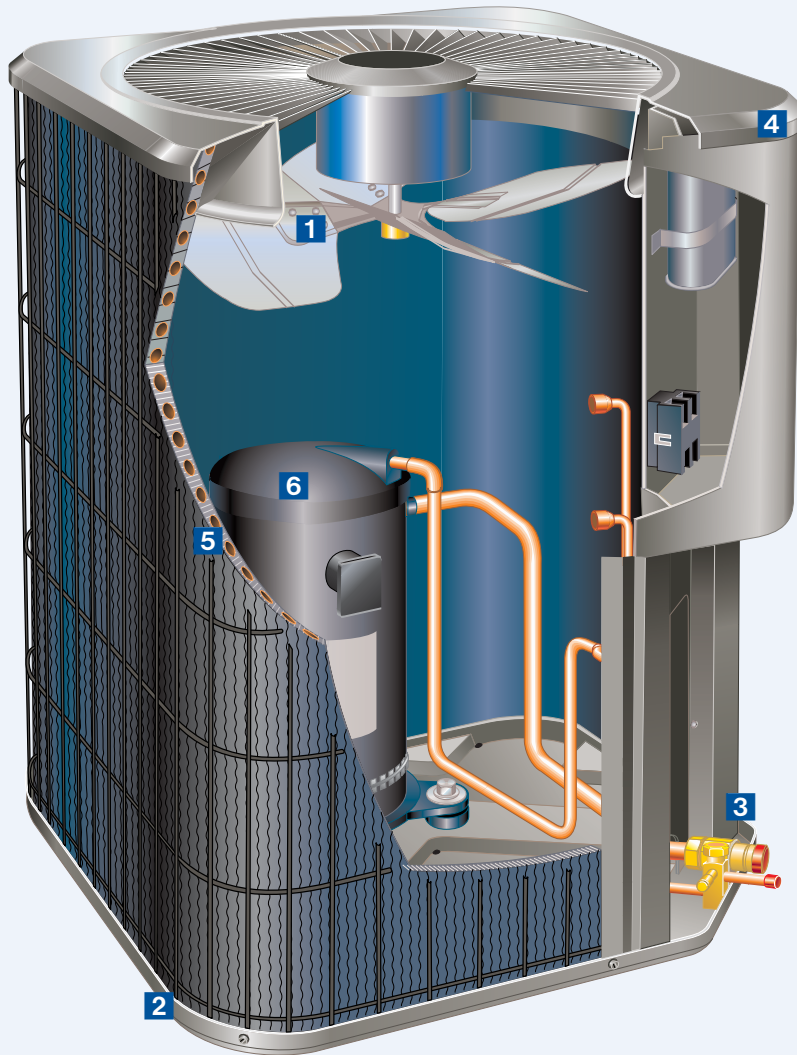
SIMPLIFIED ACCESS

- 4 DEFROST CONTROL** — Time / temperature defrost control that is conveniently located in control box.
- 5 REFRIGERANT LINE CONNECTIONS, ELECTRICAL INLETS, & SERVICE VALVES** — located in one central area of cabinet for easy access and service.

PRECISION PERFORMANCE

- 6 CABINET** — Louvered heavy gauge steel cabinet with a powder paint finish for superior rust and corrosion protection.
- 7 SCROLL COMPRESSOR** — Proven design for a worry free performance and quiet operation.
- 8 HIGH CAPACITY LIQUID LINE DRIER** — Factory installed feature that traps moisture and dirt.
- 9 FOUR-WAY REVERSING VALVE** — Rapid changeover of refrigerant flow direction from cooling to heating and vice versa

TSA SMALL SPLIT AIR CONDITIONERS



PROVEN DESIGNS

- 1 OUTDOOR COIL FAN** — Extra protection with a louvered steel top fan guard.
- 2 CORROSION RESISTANT BASE** — Durable zinc-coated base section resists rust and corrosion.

SIMPLIFIED ACCESS

- 3 REFRIGERANT LINE CONNECTIONS AND ACCESS** — Located in one central area of cabinet for easy access and service.

PRECISION PERFORMANCE

- 4 CABINET** — Heavy gauge steel cabinet with a powder paint finish for superior rust and corrosion protection.
- 5 COPPER TUBE / ENHANCED FIN COIL** — Provide exceptional heat transfer and low air resistance for efficient operation.
- 6 SCROLL COMPRESSOR** — Proven design for a worry free performance and quiet operation.

BCE7E AIR HANDLERS: PROVEN PERFORMANCE YEAR AFTER YEAR

Allied Commercial's BCE7E air handlers are designed to work with TSA and ML14XP1 models to deliver solid performance in any application. Their flexible design and convenient features make it easy to create a system that delivers year 'round.

MAINTENANCE MADE EASY

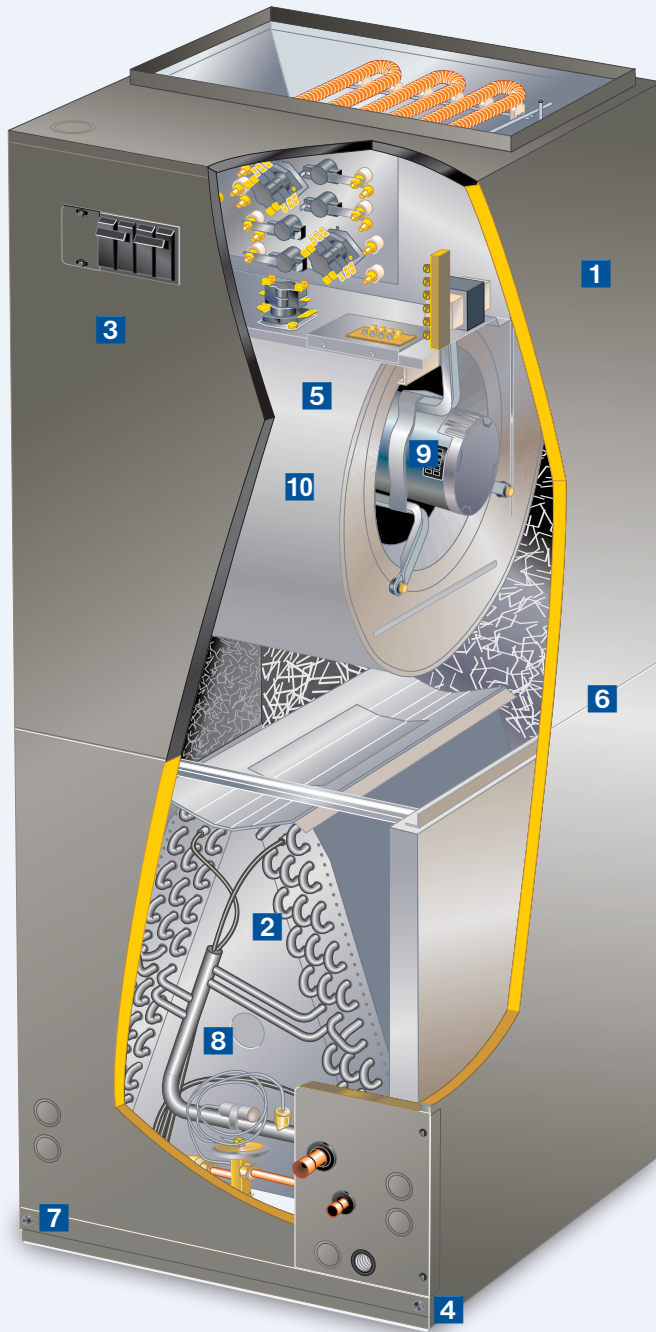
This single-piece air handler can be separated into two sections to help with space-restrained applications. Tool-less filter access makes servicing quick and easy, while removable panels exposing the slide-out blower provide complete access during routine maintenance.

FIELD-INSTALLED OPTIONS

- ECB27 single or three phase electric heat, single point power
- Electric heat circuit breaker cover kit
- Downflow combustibile flooring base
- Downflow conversion kit
- Horizontal support frame kit
- Side return unit stand (upflow only)
- Wall hanging bracket kit (upflow only)



BCE7E SMALL SPLIT AIR HANDLER



PROVEN DESIGNS

- 1 CABINET AIRFLOW CONFIGURATION**—Multi-position cabinet with upflow/horizontal or downflow configuration available.
- 2 OMNIGUARD™ TECHNOLOGY** — Enhanced aluminum tube and fins for superior corrosion resistance.
- 3 CORROSION-RESISTANT CABINET**—Galvanized steel under a two-layer painted surface protects against rust and corrosion.
- 4 MICROBAN DUAL-POSITION DRAIN PAN**—Microban is infused with each drain pan to prevent the growth of mold and mildew for improved indoor air quality.

SIMPLIFIED ACCESS

- 5 SLIDE-OUT BLOWER**—Forward-curved centrifugal blower features slide-out capability for quick and easy service and maintenance.
- 6 TWO-PART CABINET CONSTRUCTION**—Units may be disassembled into two separate sections for easy installation in tight applications. Thick rubber gasket between sections helps ensure airtight seal.
- 7 TOOL-LESS FILTER ACCESS**—Saves time during filter replacement.

PRECISION PERFORMANCE

- 8 CHECK AND THERMOSTATIC EXPANSION VALVE**—Factory provided to reduce installation time and provide peak cooling performance across the entire application range.
- 9 CONSTANT TORQUE BLOWER MOTOR** — Programmable high efficiency multi-speed blower motor can deliver more uniform airflow.
- 10 HIGH-STATIC SUPPLY FAN**—Delivers up to 400 cfm/ton at 0.8" supply external static pressure at highest tap setting, meeting the most demanding applications.



Check that equipment complies with all applicable building codes, laws, and regulations for its intended use prior to installation.



Visit us at www.allied-commercial.com or contact us at 1-800-448-5872.

© 2020 Allied Air Enterprises LLC, a Lennox International Inc. Company



Litho U.S.A.

ACSS-300 08/20 PC73451